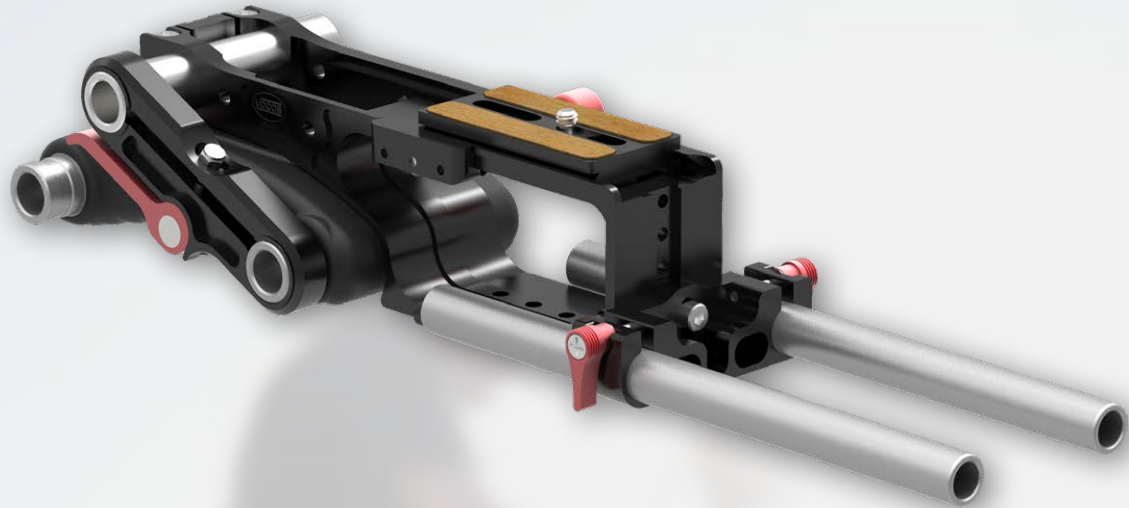




Vocas camera support system

Flexible Camera Rig FCR-15



This is a selection of the most important accessories flags, filter frames etc, can be found on

Flexible Camera Rig, FCR-15

15 mm Flexible Camera Rig for DSLR cameras, solid state camcorders and small cine cameras. The FCR-15 is a 15 mm height adjustable camera rig with an ARCA balancing system and an extremely flexible shoulder pad, which offers a high variety of shoulder mounting positions.

0350-3000

FCR-15 top handle

The top handle for the FCR-15 offers multiple 1/4" and 3/8" thread holes, two cold shoe attachments and a 15 mm integrated viewfinder adapter.

The viewfinder adapter enables you to mount any third-party viewfinder or LCD screen from the top, via any of the Vocas NATO rail solutions.

0350-3010

FCR-15 rear rails bracket

The FCR-15 rear rails bracket can be attached directly to the shoulder pad, offering 15 mm rails to the back of the rig, for mounting a battery bracket, counter weight or any other 15 mm accessory.

0350-3020

15 mm Clamping block

Clamping block for 15 mm rails. This clamping block can be mounted to the rear of several base plates to offer a rear 15 mm solution.

0350-2010

Angled rosette attachment

Angled rosette attachment to equip certain Vocas plates with a standard rosette.

0390-0320

Viewfinder bracket kit universal

This viewfinder/monitor bracket is universal and compatible with any monitor, recorder and viewfinder with a bottom or upper 1/4" thread hole, and can be mounted to any NATO rail.

0700-0010

Battery adapter plate for 15 mm rails

For attaching different brands V-lock battery mount plates directly on 15 mm rails. Part of this plate can also be attached to the counter weight (0370-0220).

0370-0105

Weight 1 kg for 15 mm rails

This 1 kg stainless steel counter weight can be mounted directly on any standard 15 mm rails.

0370-0220

Mic holder 15 mm

This microphone holder can be attached to any standard 15mm rail such as that of the Vocas top handgrips. It is compatible with all standard 1/4" and 3/8" based microphone shockmounts.

0350-1460

Cold shoe to 15 mm adapter

Cold shoe to 15mm bar adapter bracket. For mounting accessories with cold shoe to a 15mm bar, like audio receivers or camera lights.

0350-1462

NATO rail (60 mm)

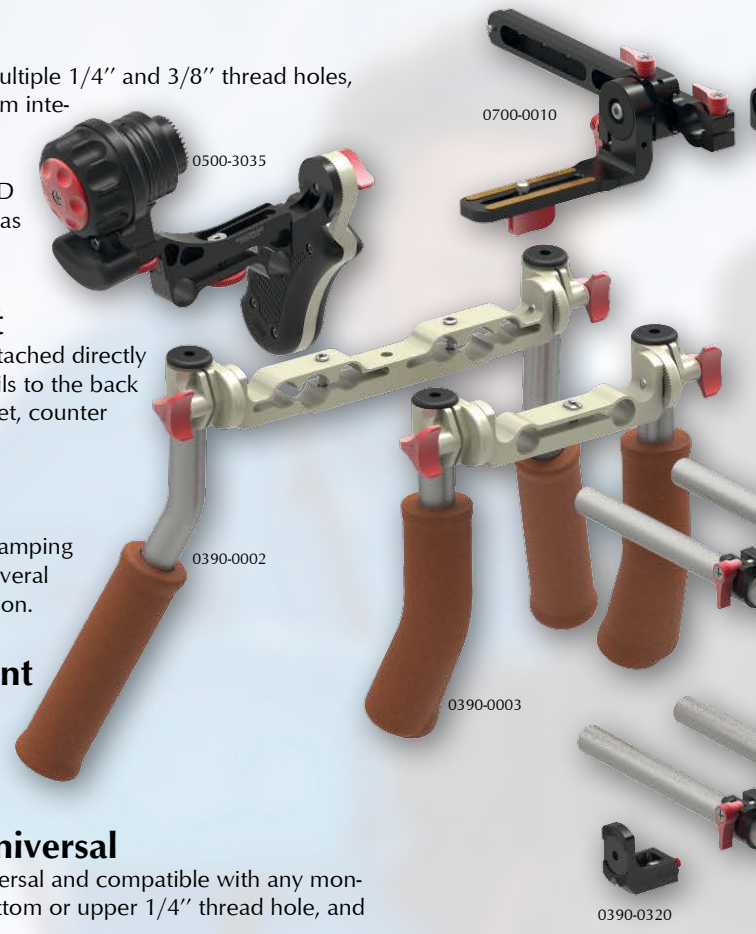
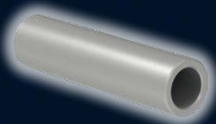
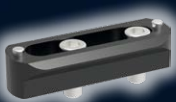
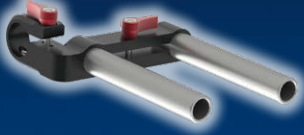
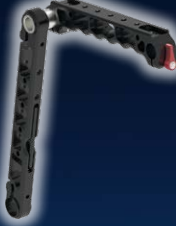
Single sided NATO rail. Length: 60 mm.

0705-1060

Tube long for FCR-15 top handle

Long tube for extending the horizontal position of the FCR-15 top handle.

0350-3015



es, all other accessories such as adaptor rings, side
our solutions finder at www.vocas.com.

MB-256 matte box

Advanced compact matte box, one fully rotatable 4"x4" filter frame, one non rotatable 4"x4" filter frame, and a French flag. Suitable for top and lower rails with fixed bars adapter. Swing away bracket for lower rails. Max. lens diameter of 114 mm. Patented internal eyebrows for maximum lens flare reduction.

0200-0256

MB-216 matte box

Basic compact matte box, one fully rotatable 4"x4" filter frame and one fixed 4"x4" filter compartment in the hood. Suitable for top and lower rails with fixed bars adapter. Swing away bracket for lower rails. Max. lens diameter of 114 mm.

0200-0216

MFC-3 & MFC-3F follow focus

The unique feature of this follow focus system MFC-3 is that the focus knob and drive gear consist of only one part, there is no transmission in the new MFC-3 making it 100% playless!

This complete MFC-3F kit includes everything you need to use the MFC-3F follow focus and support your camera at the same time, on both sides!

0500-3035

MFC-2S follow focus

Available with the innovative walnut palm support and a walnut focus knob. The technical specifications are among others, a modular design, different gear ratios (ENG, Cinema), reversible rotation direction and is highly adjustable for optimal personal comfort.

0500-3000 / 0500-3010 / 0500-3100 / 0500-3110

15 mm General lens support

Adjustable height for optimal support. Y-stand with wheels for support of lenses without connection points. The kit includes 4 extra adapters for the different types of lens connections.

0360-0525



Vocas handgrip system

Based on the standard rosette and made from high grade materials.

Wooden handgrip right: **0390-0105**

Wooden handgrip left: **0390-0104**

2,5 mm LANC extender coil cable: **0390-0157**

Handgrip combi rail bracket for 19 mm, 15 mm and 15 mm studio rails: **0390-0006**

Handgrip 15 mm rail bracket: **0390-0110**

Leather handgrip short: **0390-0004**

Leather handgrip long: **0390-0005**

Adjustable handgrip extender

This very solid adjustable extender can be adjusted in length from 165 mm to 235 mm.

0390-0040





0255-3000	Flexible camera rig FCR-15 Basic kit. Consisting of:
0350-3000	Flexible camera rig, FCR-15
0390-0003	Handgrip kit with two short leather handgrips and 15 mm rail bracket



0255-3010	Flexible camera rig FCR-15 Advanced kit. Consisting of:
0350-3000	Flexible camera rig, FCR-15
0350-3010	FCR-15 top handle
0390-0002	Leather handgrip kit, incl. 19 mm and 15 mm bracket and two handgrips



0255-3020	Flexible camera rig FCR-15 Pro kit. Consisting of:
0350-3000	Flexible camera rig, FCR-15
0350-3010	FCR-15 top handle
0350-3020	FCR-15 rear rails bracket
0370-0220	Weight 1 kg for 15 mm rails
0390-0002	Leather handgrip kit, incl. 19 mm and 15 mm bracket and two handgrips

PO Box 191, 1200 AD, Hilversum, The Netherlands.
 Tel.: +31(0)35-6233707, Fax: +31(0)35-6233997
 e-mail: info@vocas.com, Web: www.vocas.com

Your reseller:

Vocas products are designed and made in Holland

See www.vocas.com/where-to-buy for your local reseller.

March 2019