



User manual

C-cage for BMD Pocket 4K kit

Version 1.0.0



Index:

Index:	1
Introduction:.....	3
What's in the box?	4
C-cage for BMD Pocket 4K kit 0600-1001:	4
C-cage for BMD Pocket 4K 0600-1000:.....	5
Component overview:	5
Basics:.....	7
How to mount the C-cage?.....	7
Accessories:	8
SSD holder 0600-1020 (included in kit 0600-1001):	9
Top handgrip Mini 0700-1010 (included in kit 0600-1001):	9
Viewfinder bracket kit universal 0700-0010:	10
Aluminum 15 mm rail, length: 105 mm (1 pc.) 0350-9105:.....	10
ARCA camera dovetail plate 0350-3050:.....	10
Contact data:	11

Introduction:

Thank you for purchasing a Vocas product. You are now the owner of a C-cage kit for your Blackmagic Design Pocket 4K camera!

The C-cage for BMD Pocket 4K kit is designed to give you maximum freedom while at the same time adding minimal weight to your gear. The C-cage with an angled HDMI connector, with a top handgrip and a SDD holder weighs only 356 grams (12.5 ounce).

More than 25 years of experience are part of this design and functionality.

What's in the box?

Each C-cage for BMD Pocket 4K kit includes an angled HDMI connector, a Top handgrip Mini and an SSD holder.

C-cage for BMD Pocket 4K kit 0600-1001:

- C-cage for BMD Pocket 4K, 0600-1000
- Angled HDMI connector and cover
- Top handgrip Mini 0600-1010
- SSD holder 0600-1020
- Hexagonal Allen key 3 mm
- Hexagonal Allen key 3/16"
- 2 pc. 1/4" screw
- 6 pc. M4x12 screw
- This manual



C-cage for BMD Pocket 4K 0600-1000:

- C-cage for BMD Pocket 4K, 0600-1000
- Angled HDMI connector and cover
- Hexagonal Allen key 3 mm
- 2 pc. 1/4" screw
- 6 pc. M4x12 screw
- This manual



Component overview:

(C-cage for BMD Pocket 4K kit 0600-1001)



Basics:

How to mount the C-cage?

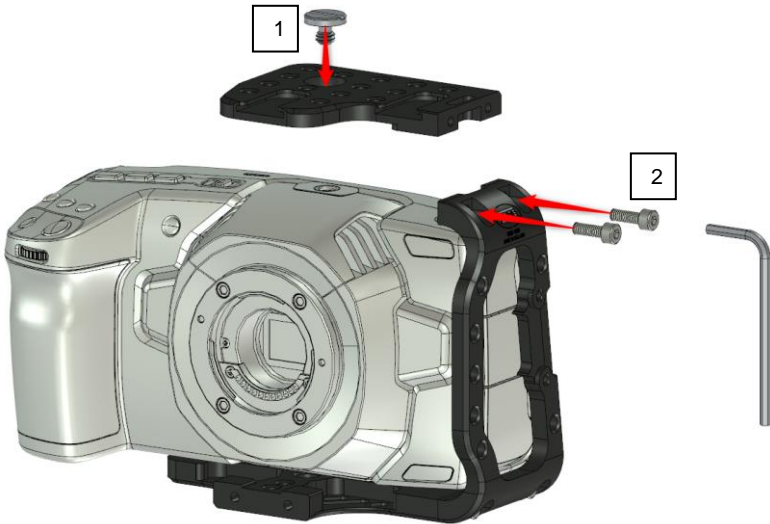
1. Attach the base plate to the bottom of the camera with a 1/4" screw as shown. Make sure that the two camera center pins fall in the two matching holes in the camera.



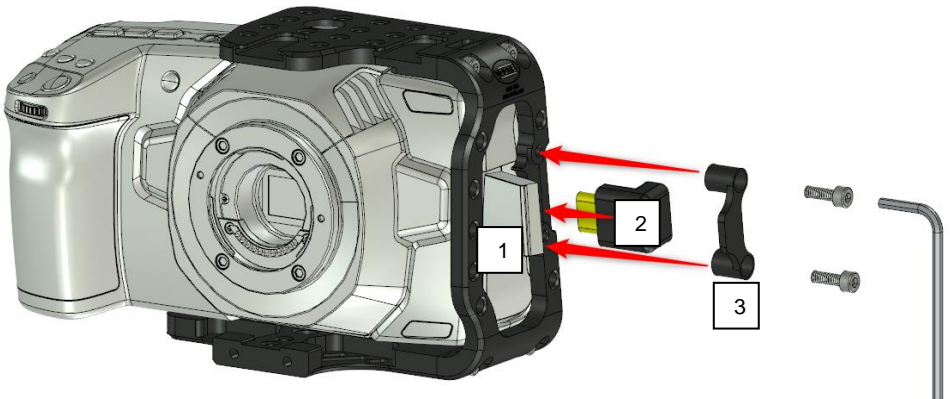
2. Attach the cage side to the base using 2X M4 screws, do not fully tighten the screws yet.



3. Attach the top plate to the top of the camera using the remaining 1/4" screw, do not fully tighten yet.
Use the two remaining M4 screws to attach the top of the side to the top plate. Now fully tighten all screws.



4. Open the cover of the HDMI socket in the camera, put the angled HDMI adapter in the HDMI socket and attach the cover over the HDMI adapter using two M4 screws.



Accessories:

SSD holder 0600-1020 (included in kit 0600-1001):

If you want to fix your SSD drive to your cage or handgrip, this holder is your friend. Attaches directly to any 1/4" hole, and can hold not only SSD drives, but also other (audio) accessories.



Top handgrip Mini 0700-1010 (included in kit 0600-1001):

Top handgrip Mini with integrated 15 mm viewfinder adapter, various 1/4" holes and a cold shoe. Attaches directly to any pair of 1/4" holes (max. distance between holes: 31,5 mm).



Viewfinder bracket kit universal 0700-0010:

If you want to add a monitor, recorder or viewfinder to your C-cage for BMD Pocket 4K kit, this is a good choice. This universal viewfinder/monitor bracket is universal and compatible with any monitor, recorder and viewfinder with a bottom or upper 1/4" thread hole. The universal bracket can be turned 180 degrees.

The quick release NATO rail concept offers a strong, stable and lightweight connection, preventing the viewfinder from "twisting", which can result in a crooked horizon of the image.

Included items in this kit: 1x Viewfinder bracket universal (0700-0011), 1x NATO rail (0710-0130).



Aluminum 15 mm rail, length: 105 mm (1 pc.) 0350-9105:

A necessity to connect the viewfinder bracket to the integrated 15 mm viewfinder adapter of the C-cage for BMD Pocket 4K kit.



ARCA camera dovetail plate 0350-3050:

Additional plate, including 1/4" and 3/8" screw.



Contact data:

Vocas Systems B.V.
Larenseweg 121
1221 CL Hilversum, The Netherlands
T: +31(0)35-6233707 E: info@vocas.com
www.vocas.com