



# User manual

## Director's monitor cage

Version 1.0.4





# Index:

Index: .....	1
Introduction:.....	4
What's in the box? .....	5
Director's monitor cage 0600-0900:.....	5
Component overview: .....	6
How to mount a monitor to the Director's monitor cage?.....	7
Accessories: .....	8
Spigot adapter 0600-0910: .....	8
Accessory plate 0600-0930: .....	8
Sunshade 0600-0920: .....	9
Contact data: .....	12

## Introduction:

Thank you for purchasing a Vocas product. You are now the owner of a revolutionary Director's monitor cage! More than 25 years of experience are part of this design and functionality.

Can you imagine a Director's monitor cage that holds your 7" monitor firmly in place and allows the Director to view a shot exactly as the cameraman has meant it to be? Hassle free! Through the comfortable harness this bracket is a joy to use.

Using the optional adjustable and sturdy sunshade, reflections will not be affecting the picture at any time.

Designed for maximum flexibility using the optional accessories like the spigot adapter and accessory plate.

## What's in the box?

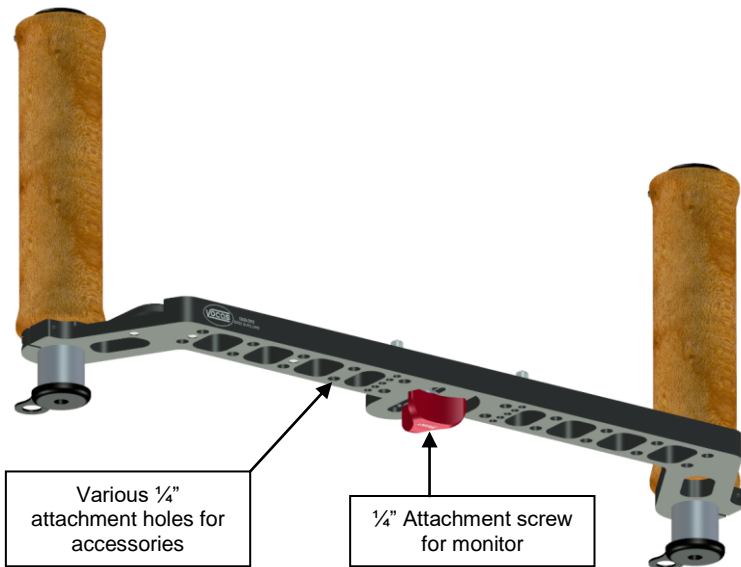
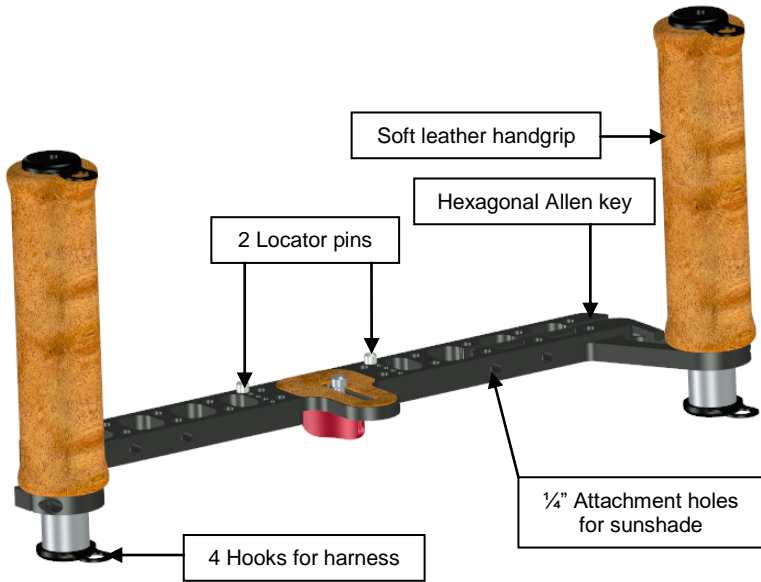
Each Director's monitor cage includes a comfortable harness and the Vocas signature soft leather handgrips.

### Director's monitor cage 0600-0900:

- Director's monitor cage, 0600-0900
- This manual
- Harness



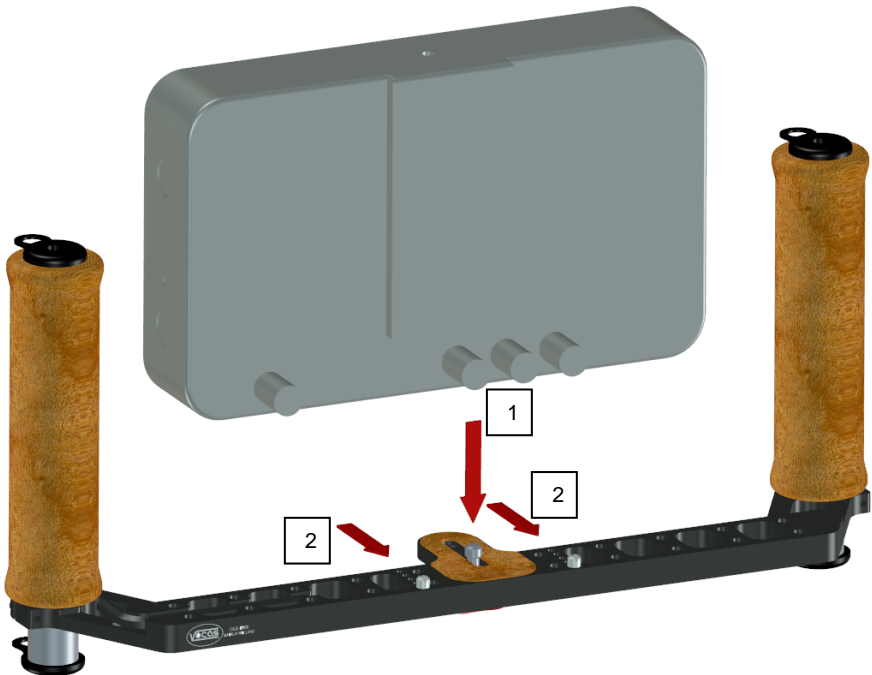
## Component overview:



## How to mount a monitor to the Director's monitor cage?

It is easy!

1. Using the red winged nut, screw the  $\frac{1}{4}$ " screw loosely into the monitor.
2. Slide the monitor with  $\frac{1}{4}$ " screw backwards against the two locator pins. This will prevent the monitor from pivoting around the  $\frac{1}{4}$ " attachment screw. Please note that the two locator pins can be put in various holes if desired.
3. Now fully tighten your  $\frac{1}{4}$ " screw.



## Accessories:

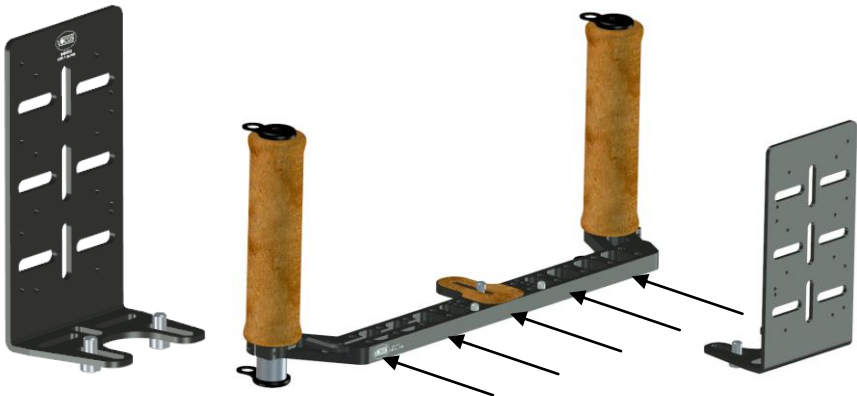
### Spigot adapter 0600-0910:

If you want to mount your Director's monitor bracket on any tripod (through a 1/4" and 3/8" hole) or light stand (with 16 mm connection) this plate is your friend! It will also make your monitor tilt backwards slightly when placed on a flat surface.



### Accessory plate 0600-0930:

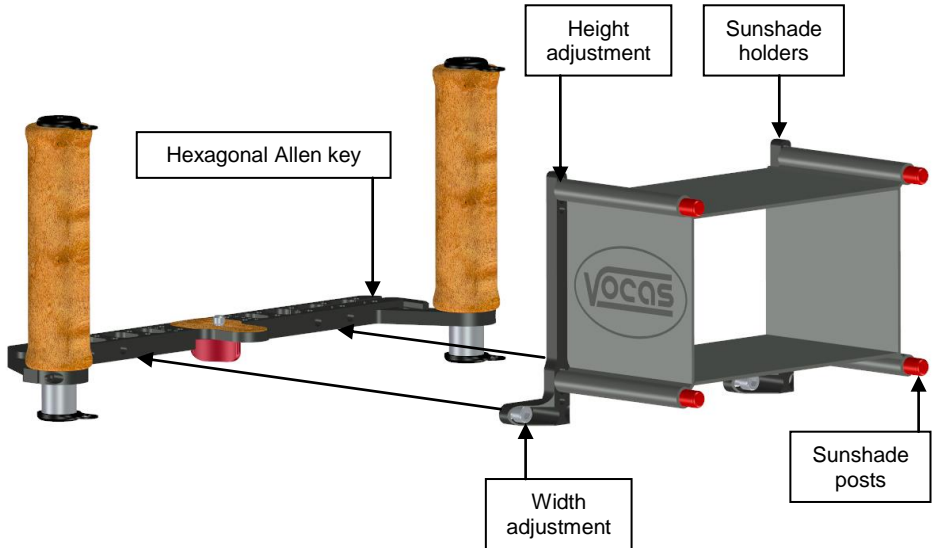
If you want to add a video receiver or V-lock battery to the cage, this accessory plate is something to consider. All possible hole patterns are added for attaching any V-lock battery plate, as well as multiple slots for attaching video a receiver using a 1/4" screw. Please note that this plate can be attached to several positions on the bracket, alternatively two can be mounted.





## Sunshade 0600-0920:

For maximum reflection reduction, better contrast, colors and optimum true representation of the image, this water resistant, light proof sunshade is highly recommended. It can be adjusted to the height and width of your specific 7" monitor. For 7" monitors with a touch screen, the bottom section of the screen be cut away. (see dotted line on sunshade).



How to mount your sunshade to the Director's cage?

1. Remove the two locator pins.
2. Attach the two sunshade holders to the Director's monitor cage using the hexagonal Allen key (stored in the bracket) and 2 x 2 ¼" screws. Please note that the holders have slotted holes, enabling you to adjust the sunshade to the desired width of your monitor.
3. Using the red winged nut, screw the ¼" screw loosely into the monitor.
4. Slide the monitor with ¼" screw to the front against the two soft rubber strips in the sunshade holders.
5. The sunshade itself already has the red sunshade posts inserted, screw them in the desired holes, keeping in mind what the desired height of the sunshade should be.

For all available accessories and compatibilities please check our website: [www.vocas.com](http://www.vocas.com)





## **Contact data:**

Vocas Systems B.V.  
Larenseweg 121  
1221 CL Hilversum, The Netherlands  
T:+31(0)35-6233707 F:+31(0)35-6233997  
[www.vocas.com](http://www.vocas.com)