



User manual

MB-600 Matte box system

Version 1.0.0



www.vocas.com

Index

Introduction	3
Available kits	4
MB-611 kit, 0600-0611	4
MB-612 kit, 0600-0612	4
MB-623 kit, 0600-0623	4
Guide to modules & components.....	5
A. MB-600 Front unit 0620-0101	6
B. MB-600 Filter stages 0620-0311 and 0620-0312	7
C. MB-600 Rear plate 165 mm 0620-0201	8
D & E. Rail adapters.....	9
How to	10
1. Attach a filter stage.....	10
2. Lock the filter frame	12
3. Lock the rotation of the filter stage.....	12
4. Attach a rail bracket.....	13
5. Attach an accessory in the front of the matte box hood.....	13
5. Operate the unique eyebrows.....	14
Accessories.....	15
Adapter rings:.....	15
Flags:.....	15
Rail adapter kits:	16
Rail adapter separate modules:.....	16
Units to use in the front of the matte box hood:.....	17
Filter frames:.....	17
Contact data.....	20

Introduction

Thank you for purchasing a Vocas product. You are now the owner of a revolutionary matte box! Its modular design, combined with the highest durability is unique in the market. More than 25 years of experience are part of MB-600 design and functionality.

We believe that the Vocas MB-600 matte box gives you the perfect tool for lens flare reduction and using multiple filters. Before you start to use your new accessory, please read these instructions carefully to enjoy optimum performance and a longer service life. Keep this manual in a safe place for future reference.

In the interest of continually improving products, Vocas Systems B.V. reserves the right to update or modify information contained in this manual.



Available kits

Since the MB-600 matte box has a modular design, every combination, in addition to the three available kits, is possible.

MB-611 kit, 0600-0611

Box contents:

- MB-600 Front unit 0620-0101
- MB-600 Rear plate 165 mm 0620-0201
- MB-600 Single rotatable filter stage 0620-0311
- MB-600 Filter frame 6,6" x 6,6" 0640-0001
- MB-600 19 mm bars adapter 0660-0010

MB-612 kit, 0600-0612

Box contents:

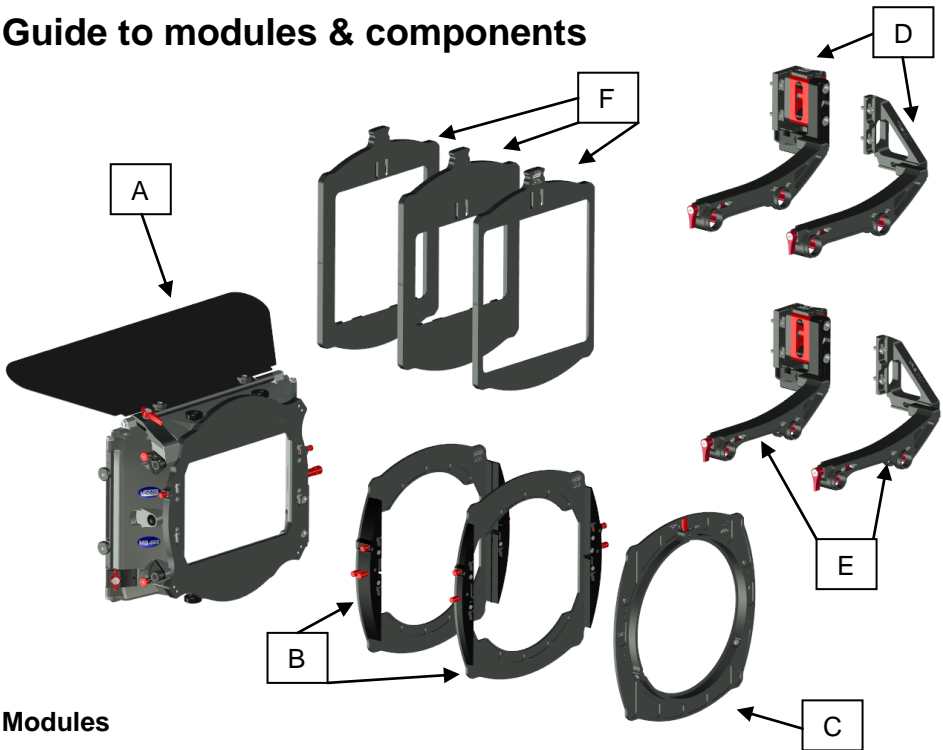
- MB-600 Front unit 0620-0101
- MB-600 Rear plate 165 mm 0620-0201
- MB-600 Double rotatable filter stage 0620-0312
- MB-600 Filter frame 6,6" x 6,6" 0640-0001 (2X)
- MB-600 19 mm bars adapter 0660-0010

MB-623 kit, 0600-0623

Box contents:

- MB-600 Front unit 0620-0101
- MB-600 Rear plate 165 mm 0620-0201
- MB-600 Single rotatable filter stage 0620-0311
- MB-600 Double rotatable filter stage 0620-0312
- MB-600 Filter frame 6,6" x 6,6" 0640-0001 (3X)
- MB-600 19 mm swing away 0660-0100
- MB-600 Donut adapter ring 0630-0001
- Side flag kit for MB-450 0440-0001

Guide to modules & components



Modules

A:

MB-600 Front unit 0620-0101

B:

MB-600 Single rotatable filter stage 0620-0311

MB-600 Double rotatable filter stage 0620-0312

C:

MB-600 Rear plate 165 mm 0620-0201

D:

Rail adapters for 19 mm rails:

MB-600 19 mm bars adapter kit 0660-0010

MB-600 15 mm studio bars adapter kit 0660-0015

E:

Rail adapters for 15 mm studio rails:

MB-600 19 mm swing away kit 0660-0100

MB-600 15 mm studio swing away kit 0660-0105

F:

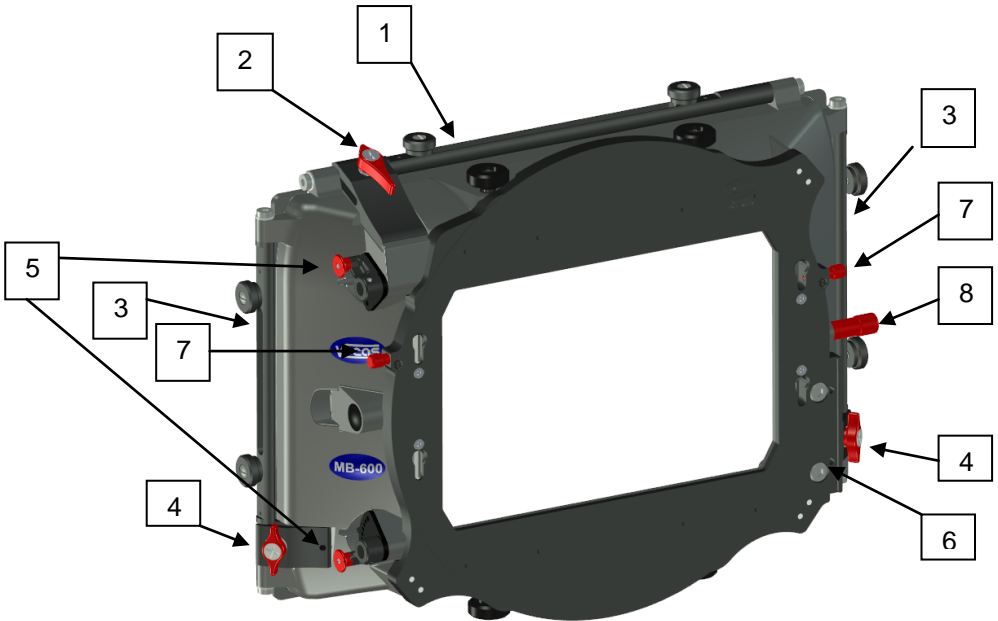
MB-600 Filter frame 6,6" x 6,6" 0640-0001

MB-600 Filter frame 5,65" x 5,65" / 4" x 5,65" vertical 0640-0002

MB-600 Filter frame 4" x 5,65" horizontal / 4" x 4" 0640-0004

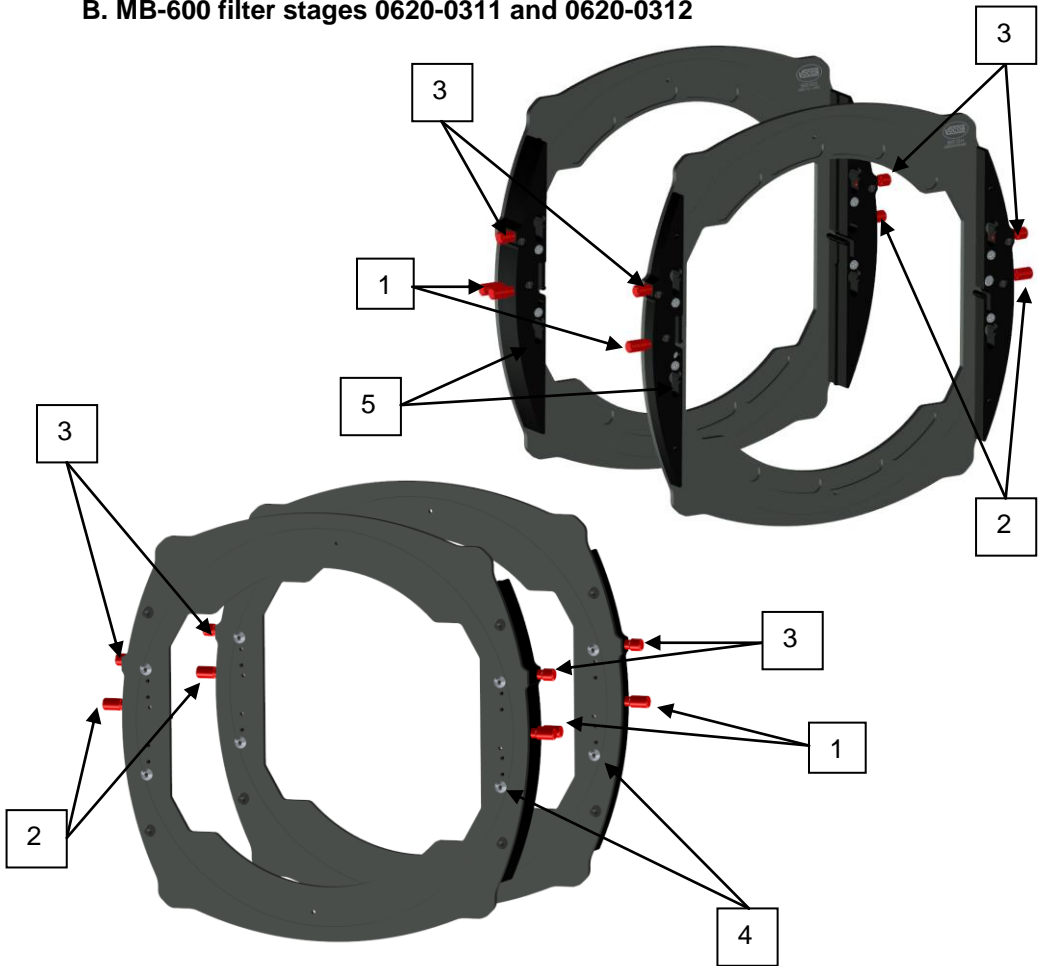
Components

A. MB-600 Front unit 0620-0101



1. Top flag attachment point
2. Top flag tilt fixation
3. Side flag attachment points
4. Side flag adjustment fixation
5. Eyebrow control
6. Attachment point for rail adapter
7. Filter stage lock
8. Knob for units to use in the front of the matte box hood

B. MB-600 filter stages 0620-0311 and 0620-0312



1. Filter frame lock

Use to lock the filter frames in the filter stage.

2. Rotation lock

Use to lock the rotation of the filter stages.

8. Filter stage lock

Will lock the next attached filter stage or rear plate.

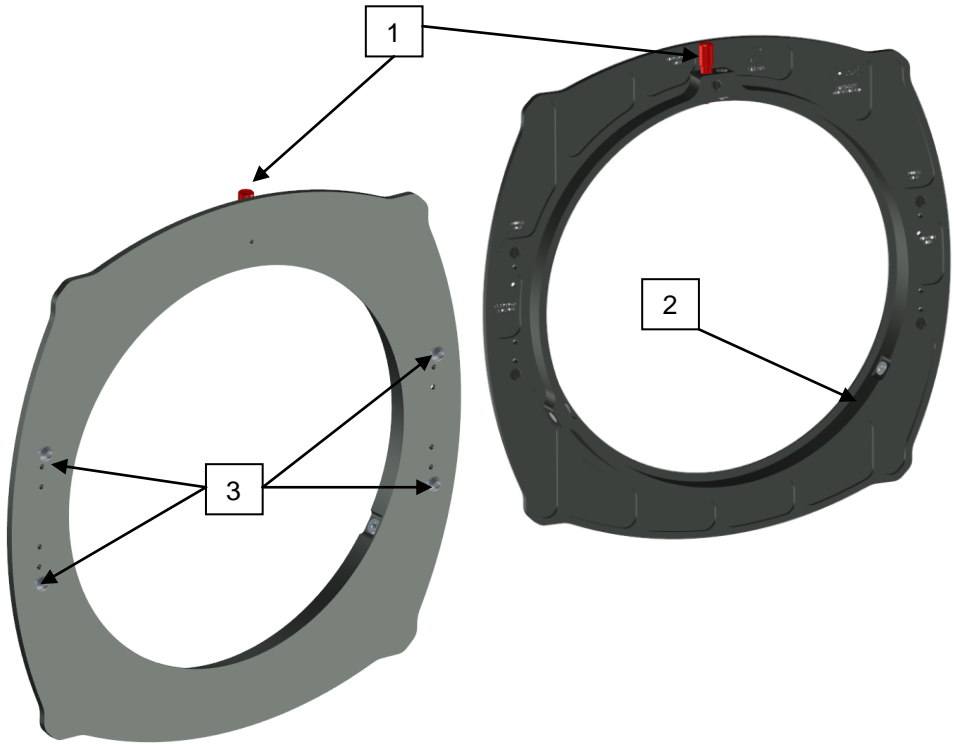
4. Mushroom shaped lock pin

Locks in the key hole slots in the next filter stage or front unit.

5. Key hole shaped slots

Use for attaching the next filter stage or the rear plate.

C. MB-600 Rear plate 165 mm 0620-0201



1. Adapter ring lock

Locks the inserted adapter ring.

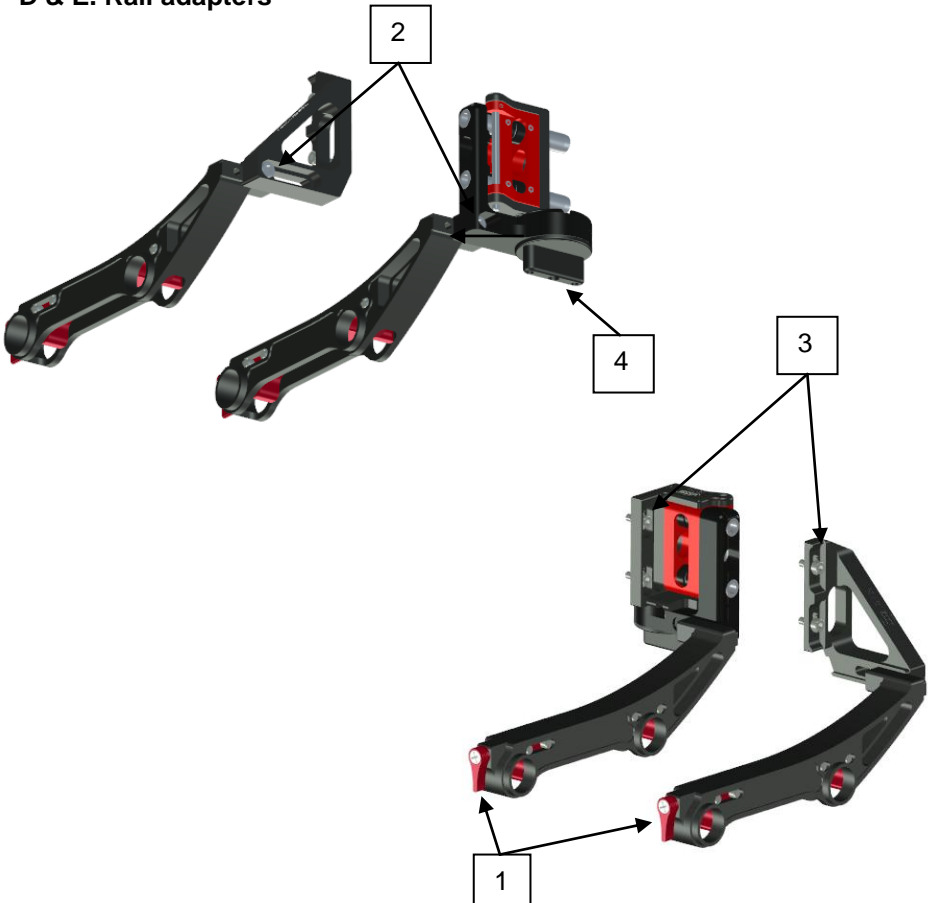
2. 165 mm rear end opening

Can be used for all 165 mm adapter rings to fit the largest lenses.

3. Mushroom shaped lock pin

Locks in the key hole slots in the next filter stage.

D & E. Rail adapters



1. Winged nut

For attaching and securing the bracket to the rails.

2. M5 Screw for attaching the rail bracket to the bars adapter or swing away bracket

Is also used for length adjustment.

3. M4 Screws for attaching the whole rail bracket kit to the matte box

Are also used for height adjustment of the whole matte box.

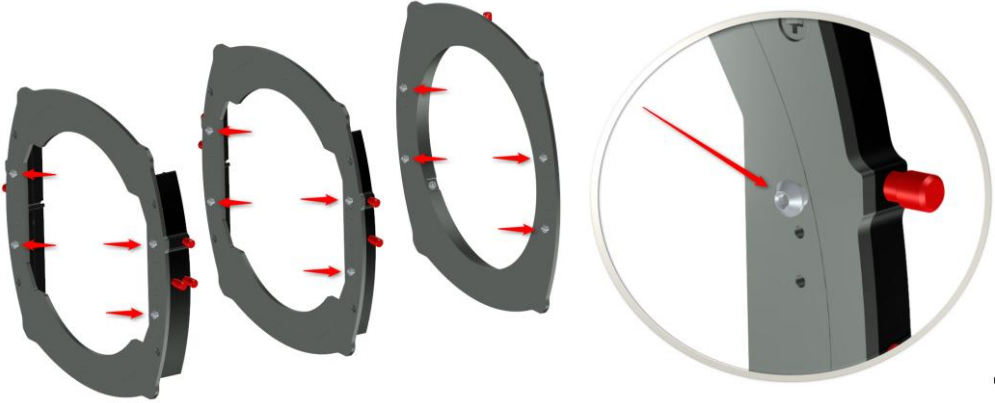
4. Knob for operating the swing away bracket

This one button is used for both operating and locking the swing away mechanism.

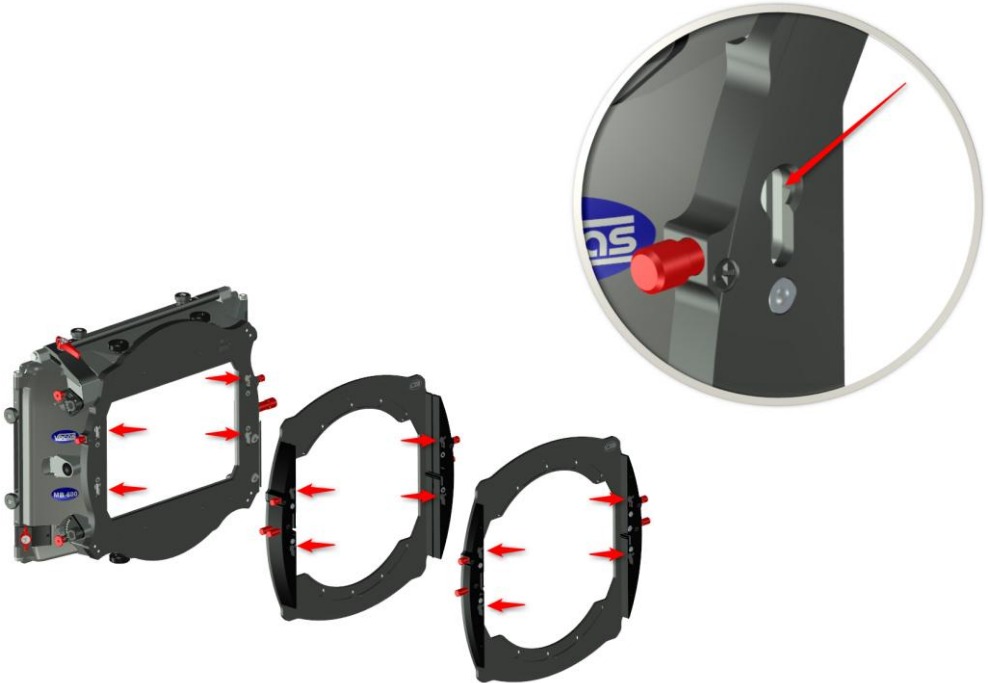
How to

1. Attach a filter stage

1. Please note that the rear unit and each filter stage have four mushroom shaped pins.

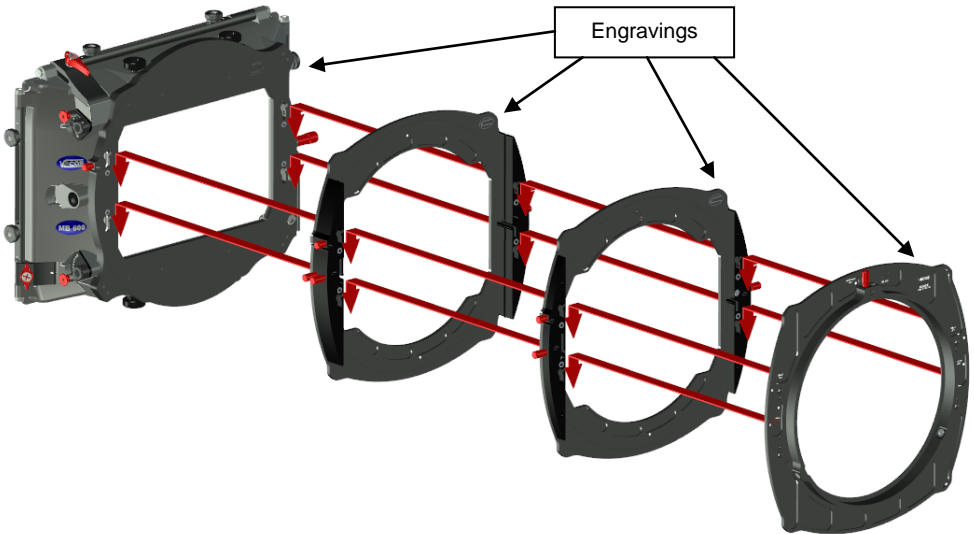


2. Also please note that the front unit and each filter stage has four key hole shaped slots.



3. Insert the mushroom shaped pins of the filter stage into the key hole shaped slots of the front unit, and push downwards. Make sure to feel a clear “click”.

Make sure all the engravings are at the right top side.

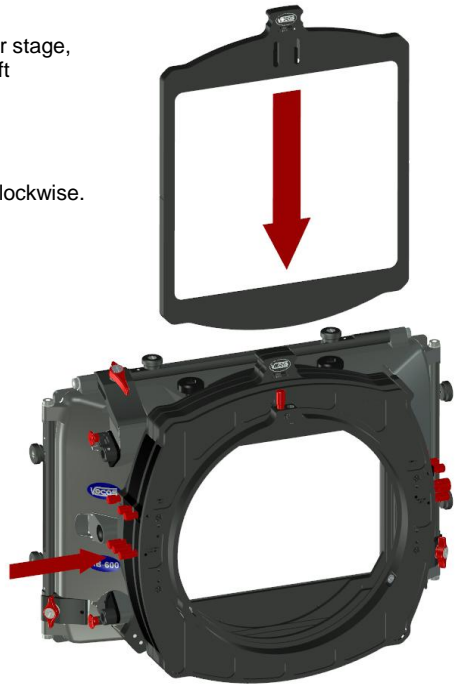


4. Now lock these connections by turning the filter stage lock on both sides of the filter stages clockwise.
Now the filter stage is attached to the front unit.
You can repeat this for every next filter stage and finally for the rear unit.



2. Lock the filter frame

1. Before inserting a filter frame in the filter stage, make sure the filter frame lock at the left side of the matte box is released totally by rotating it counter clockwise.
2. Put the filter frame in the filter stage until you feel a very clear “centre click”
3. Lock the filter frame lock by rotating it clockwise.



3. Lock the rotation of the filter stage

1. The filter stages can be rotated, turn the rotation lock clockwise to lock the rotation of the filter stages.



4. Attach a rail bracket

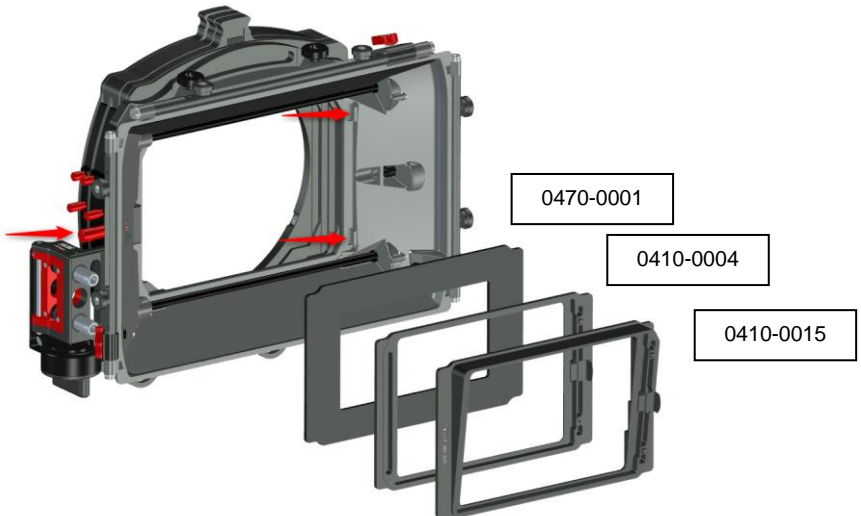
This applies to all rail adapters.

Attach the two M4 screws of the rail bracket to the matte box as shown. Please note the screws use slotted holes, for vertical adjustment.



5. Attach an accessory in the front of the matte box hood

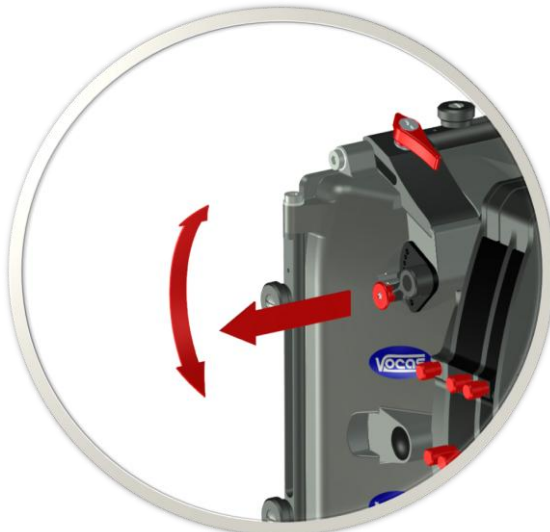
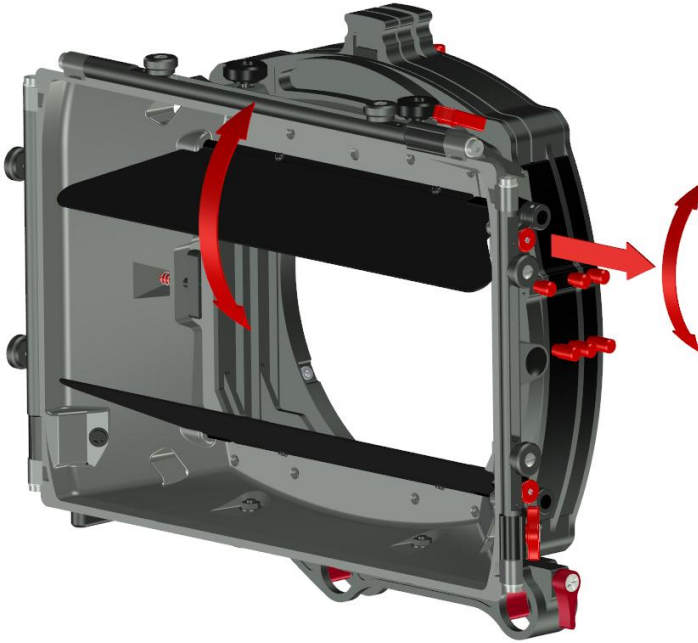
Pull the red knob outwards, insert the accessory in the compartment and release the red knob.



5. Operate the unique eyebrows

This matte box is equipped with the patented, and therefore, unique eyebrows. These eyebrows can be quickly adjusted to the focal length of your lens giving it the best protection against lens flare.

Pull the red knob outwards to unlock the eyebrow tilting mechanism. Rotate the eyebrow to the desired position.



Accessories

Adapter rings:

MB-600 Donut adapter ring 0630-0001

Fits in most 165 mm matte boxes, works on lenses up to 156 mm in outside front diameter.

This kit comes with four interchangeable soft rubber rings:

124 mm : for all lenses from 130 mm to 156 mm.

105 mm : for all lenses from 110 mm to 135 mm.

85 mm : for all lenses from 90 mm to 115 mm.

75 mm : for all lenses from 80 mm to 90 mm.

MB-600 adapter ring 165 mm to 143 mm 0630-0010

This is a step-down ring to the the Vocas 143 mm adapter ring system, and some other brand's 143 mm adapter ring systems.



Flags:

Side flag kit for MB-600 0440-0001

(No top flag included, add top flag large)

Top flag large (51 cm wide) 0430-0001

Non foldable.

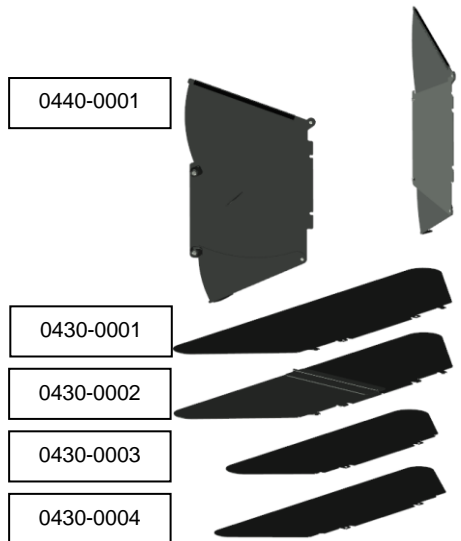
Top flag large (51 cm wide) 0430-0002

Foldable.

Top flag compact (38 cm wide) 0430-0003

(Included with front unit 0620-0101)

Top flag medium (42 cm wide) 0430-0004



Rail adapter kits:

MB-600 19 mm bars adapter kit 0660-0010

Direct connection to 19 mm rails.

MB-600 15 mm studio bars adapter kit 0660-0015

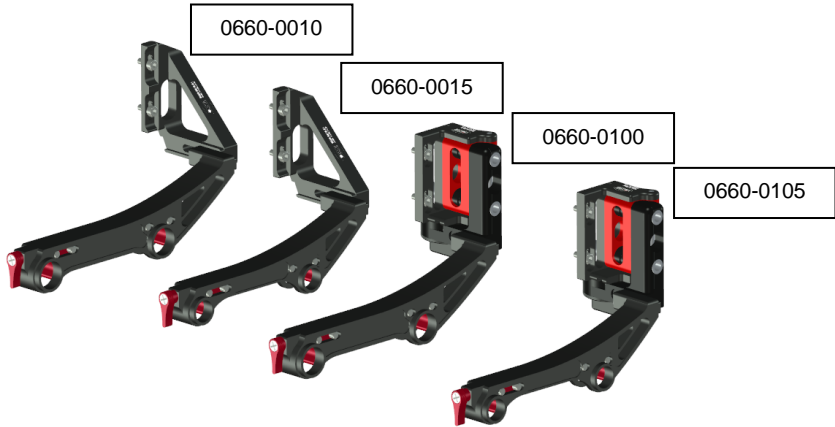
Direct connection to 15 mm studio rails

MB-600 19 mm swing away kit 0660-0100

Swing away connection to 19 mm rails.

MB-600 15 mm studio swing away kit 0660-0105

Swing away connection to 15 mm studio rails.



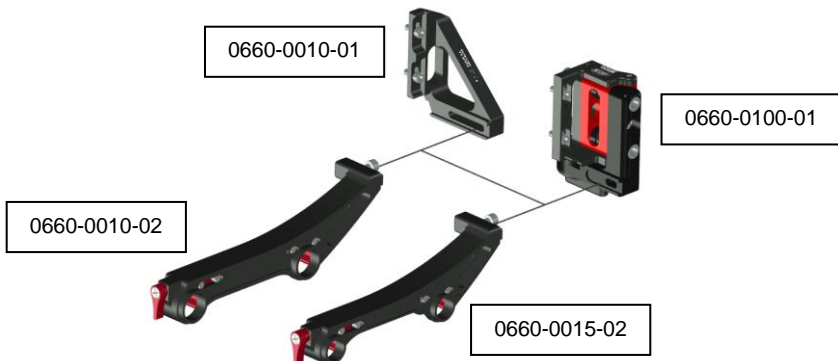
Rail adapter separate modules:

MB-600 bars adapter bracket (No rail bracket!) 0660-0010-01

MB-600 swing away (No rail bracket!) 0660-0100-01

MB-600 separate 19 mm rail bracket 0660-0010-02

MB-600 separate 15 mm studio rail bracket 0660-0015-02



Units to use in the front of the matte box hood:

Mask or matte 0470-0001

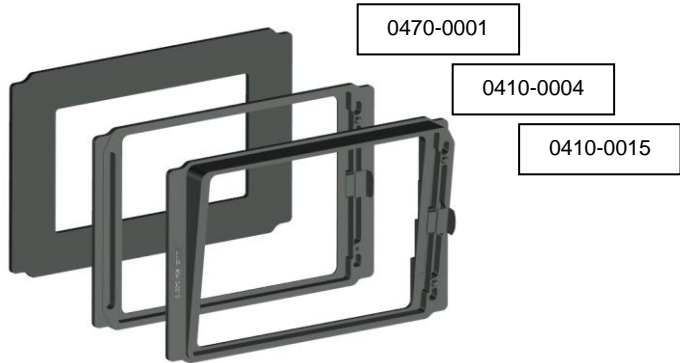
This mask offer additional lens flare protection for non wide-angle lenses.

Additional Panavision filter stage 0410-0004

This filter holder can hold a Panavision size filter.

Tilted filter holder for a Panavision filter 0410-0015

This Panavision filter holder is fixed tilted for optimal reduction or even elimination of reflection between filters or the lens front.

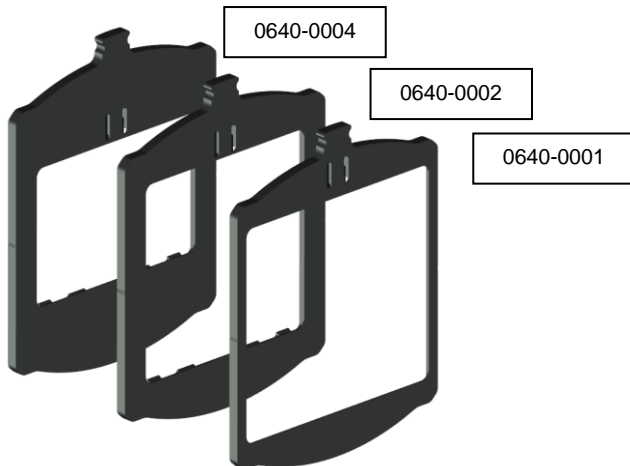


Filter frames:

MB-600 Filter frame 6,6" x 6,6" 0640-0001

MB-600 Filter frame 5,65" x 5,65" / 4" x 5,65" vertical 0640-0002

MB-600 Filter frame 4" x 5,65" horizontal / 4" x 4" 0640-0004



For all available accessories and compatibilities please check our website: www.vocas.com

Contact data

Vocas Systems B.V.
Larenseweg 121
1221 CL Hilversum, The Netherlands
T:+31(0)35-6233707 F:+31(0)35-6233997
www.vocas.com