



User manual
Follow Focus MFC-2(S)
System
Version 1.0.1



Index:

Introduction	3
Available Kits:	4
MFC-2S DSLR kit, 0500-3000	4
MFC-2S Limited Edition DSLR kit, 0500-3010	4
MFC-2S CINE kit, 0500-3100	5
MFC-2S Limited Edition CINE kit, 0500-3110	5
Guide to Modules & Components:	6
A. Knob	7
B. Gear unit	8
C. Snap-on bracket	9
D. Palm support	10
E. Drive gears	10
Adjustability:	11
Tilting the knob, gear unit & the palm support	11
Horizontal adjustability & reversing the focus direction	12
Reversing the rotation direction	12
Red winged nuts	13
Accessories:	14
Additional information	16
Contact data:	16

Introduction

Thank you for purchasing a Vocas product. You are now the owner of a revolutionary follow focus! Its modular design, the incredible adjustability and wooden palm support are unique in the market. More than 25 years of experience are part of MFC-2S' design and functionality.

We believe that the Vocas MFC-2S gives you the perfect configuration for your camera. You will now experience the combination of having your camera in perfect balance and operating your focus with excellent precision.

Before you start to use your new accessory, please read these instructions carefully to enjoy optimum performance and a longer service life. Keep this manual in a safe place for future reference.

In the interest of continually improving products, Vocas Systems B.V. reserves the right to update or modify information contained in this manual.

A video explaining the features and possibilities of this follow focus is also available on our website: www.vocas.com/mfc2



Available Kits:

MFC-2S DSLR kit, 0500-3000

- MFC-2 knob standard with stops, 0500-1205
- MFC-2 gear unit 1:1 ratio, 0500-1100
- MFC-2S 15 mm snap-on bracket, 0500-1010



MFC-2S Limited Edition DSLR kit, 0500-3010

- MFC-2 knob wood with stops, 0500-1215
- MFC-2 gear unit 1:1 ratio, 0500-1100
- MFC-2 drive gear M0,8/40 T, 0500-0601
- MFC-2S 15 mm snap-on bracket, 0500-1010
- MFC-2S palm support wood, 0500-1300
- 3 pieces flexible gear ring with 2 movable stops, 0500-0295-03



MFC-2S CINE kit, 0500-3100

- MFC-2 knob standard, 0500-1201
- MFC-2 gear unit 1:1.75 ratio, 0500-1110
- MFC-2S 15 mm snap-on bracket, 0500-1010

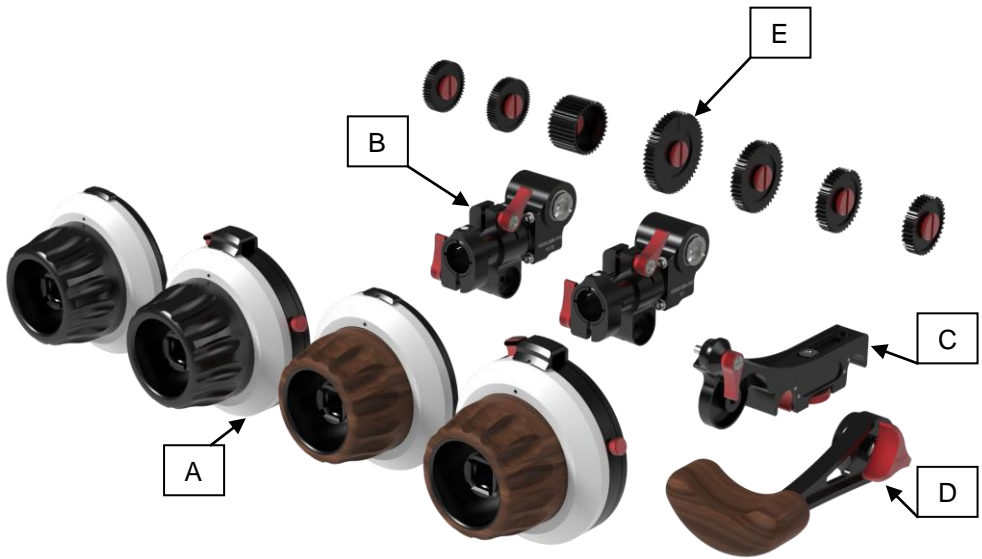


MFC-2S Limited Edition CINE kit, 0500-3110

- MFC-2 knob wood, 0500-1211
- MFC-2 gear unit 1:1.75 ratio, 0500-1110
- MFC-2 drive gear M0,8/40 T, 0500-0601
- MFC-2S 15 mm snap-on bracket, 0500-1010
- MFC-2S palm support wood, 0500-1300



Guide to Modules & Components:



Modules

A:

MFC-2 knob standard, 0500-1201
MFC-2 knob standard with 1 adjustable stop, 0500-1205
MFC-2 knob wood, 0500-1211
MFC-2 knob wood with 1 adjustable stop, 0500-1215

B:

MFC-2 gear unit 1:1 ratio, 0500-1100
MFC-2 gear unit 1:1,75 ratio, 0500-1110

C:

MFC-2S 15mm snap-on bracket, 0500-1010

D:

MFC-2S palm support wood, 0500-1300

E:

MFC-2 drive gear M0,8/40 T, 0500-0601
MFC-2 drive gear M0,8/46 T, 0500-0602
MFC-2 drive gear M0,8/54 T, 0500-0603
MFC-2 drive gear M0,6/48 T, 0500-0610
MFC-2 drive gear M0,5/60 T, 0500-0620
MFC-2 drive gear M0,8/36 T, 0500-0600
MFC-2 drive gear M0,8/36 T x 18 mm wide, 0500-0605

Components

A. Knob

Valid for:
MFC-2 knob standard, 0500-1201
MFC-2 knob standard with 1 adjustable stop, 0500-1205
MFC-2 knob wood, 0500-1211
MFC-2 knob wood with 1 adjustable stop, 0500-1215



1. Rotation knob

By rotating the standard or wooden knob, you will also rotate the drive gear.

2. Scale

You can make marks on the scale for references or calibrating purposes.

To remove or replace the scale, simply pull it off the knob

There is a reference pin on the knob so the scale will always reattach in the same position.

Spare scales are available, please see the chapter 'accessories' for more information.

3, 4, 5. Adjustable stop

To engage the stop simply pull on the red button nr. 3.

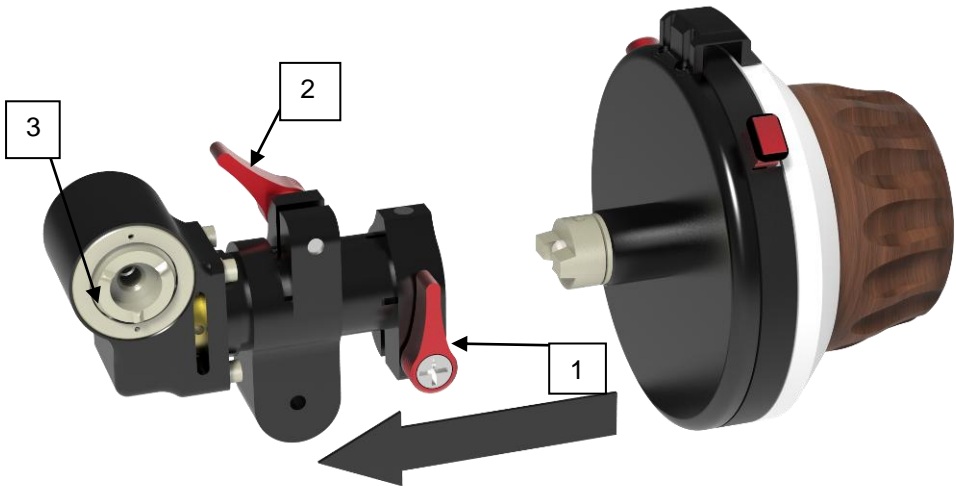
To adjust the stop's position, simply loosen the red knob nr. 4 and move the stop while holding the focus knob nr. 1.

When the stop is in the correct position tighten the red knob nr. 4 to lock the position of the stop in relation to the focus knob.

To disengage the stop, simply push the red button nr. 3 down so it no longer hits the bridge nr.5.

B. Gear unit

Valid for:
MFC-2 gear unit 1:1 ratio, 0500-1100
MFC-2 gear unit 1:1,75 ratio, 0500-1110



1. Focus knob lock

Use the red winged nut nr. 1 to lock or release the focus knob to the gear unit.

When attaching the focus knob to the gear unit, make sure to fasten the red winged nut while putting some inward pressure on the focus knob. This will prevent play between the focus knob and the gear unit.

2. Gear housing lock

If the rotation direction of the follow focus needs to be reversed, simply loosen this red winged nut nr.2 and rotate the gear housing to a downward position. The gear unit will “click” in the 2 different end positions so you know when the gear mount is correctly aligned.

To lock the gear unit in this new position, retighten the red winged nut.

3. Gear mount

You can mount different drive gears onto the gear mount nr.3, please see chapter ‘accessories’ for all Vocas drive gears.

C. Snap-on bracket

Valid for:
MFC-2S 15mm snap-on bracket, 0500-1010



1. Gear unit fastening screw

Use the winged nut nr. 1 for attaching the snap-on bracket to the gear unit.

2. 15 mm fastening nut

Turn the red nut nr. 2 counter clock wise to open the 15 mm clampers of the bracket and remove it from the bars.

Turn the red nut clock wise to tighten lock the bracket when on 15mm bars.

D. Palm support

Valid for:
MFC-2S palm support wood, 0500-1300



1. Palm support fastening nut

Use the winged nut nr. 1 for attaching the palm support to the 15mm snap-on bracket..

E. Drive gears

Valid for:
MFC-2 drive gear M0,8/40 T, 0500-0601 / MFC-2 drive gear M0,8/46 T, 0500-0602
MFC-2 drive gear M0,8/54 T, 0500-0603 / MFC-2 drive gear M0,6/48 T, 0500-0610
MFC-2 drive gear M0,5/60 T, 0500-0620 / MFC-2 drive gear M0,8/36 T, 0500-0600
MFC-2 drive gear M0,8/36 T x 18 mm wide, 0500-0605



1. Drive gear lock screw

Use the red gear lock screw to attach the drive gear to either side of the gear mount of the follow focus.

The MFC-2 Drive gear M0,8/40 T, 0500-0601 is included in the following kits:

- MFC-2S Limited Edition CINE kit, 0500-3110
- MFC-2S Limited Edition DSLR kit, 0500-3010

Adjustability:

Tilting the knob, gear unit & the palm support

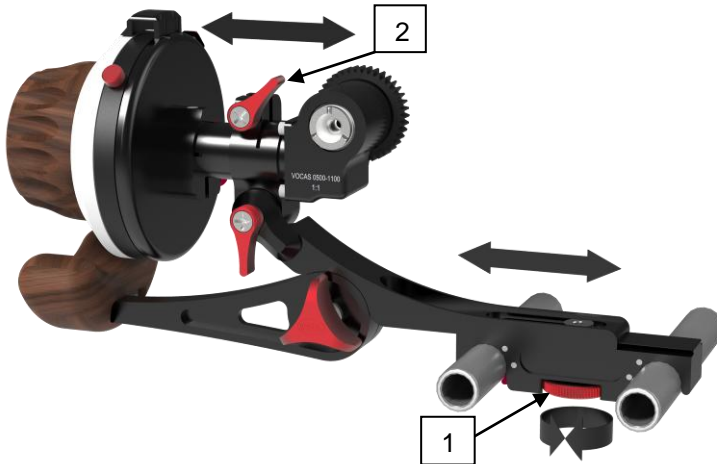


1. Loosen this red winged nut nr. 1 to release the gear unit and allow it to tilt in relation to the 15 mm snap-on bracket.
2. Loosen this red winged nut nr. 2 to release the palm support and allow it to tilt in relation to the 15 mm snap-on bracket.

Example:



Horizontal adjustability & reversing the focus direction



1. For horizontal adjustment of the follow focus loosen this red nut nr. 1 and adjust the MFC to the diameter of the lens.

(**Warning!** loosening this nut also loosens the grip of the 15mm bracket on the bars!)

2. For horizontal fine tuning, use this red winged nut nr. 2 to only slide the gear housing and focus knob closer to the lens.

Reversing the rotation direction



If the rotation direction of the follow focus needs to be reversed, simply loosen this red winged nut nr.1 and rotate the gear housing to a downward position.

The gear unit will “click” in the 2 different end positions so you know when the gear mount is correctly aligned. To lock the gear unit in this new position, retighten the red winged nut.

Red winged nuts

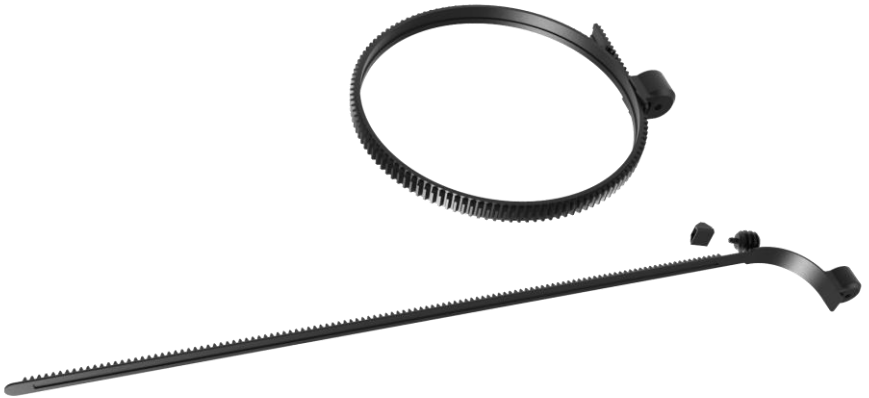
In some cases the red winged nuts can hit other parts of the follow focus while not locking properly. In this case you can always ratchet the winged nut by pulling it upwards and twisting it to the position you need.



Accessories:

Flexible gear ring, with 2 movable stops, 0500-0295

Use this gear ring for lenses without any teeth on the focus barrel. This gear ring has a tooth size of m0,8.



Flex cable 500mm, 0500-0400

You can use this cable to focus from distance. (such as behind your tripod)



Star knob, 0500-0500

You can use this knob for better grip in extreme circumstances.



MFC-2 spare scale, 0500-0700

You can use a multiple scales to make calibrations for all your lenses.



For all available accessories and compatibilities please check our website: www.vocas.com

Additional information

- Our wooden parts are made of Walnut wood. These parts are oiled with a paraffin based oil. After a while the wood may need some maintenance, this oil can be used.
- One of the unique features of the Vocas follow focus is that they are assembled without play. However, the follow focus may develop some play after frequent use. This is especially true if used with heavy turning lenses. This can be easily adjusted by a professional. Please contact your local dealer or distributor for adjusting the play of your follow focus.

Contact data:

Vocas Systems B.V.
Larenseweg 121
1221 CL Hilversum, The Netherlands
T:+31(0)35-6233707 F:+31(0)35-6233997
www.vocas.com