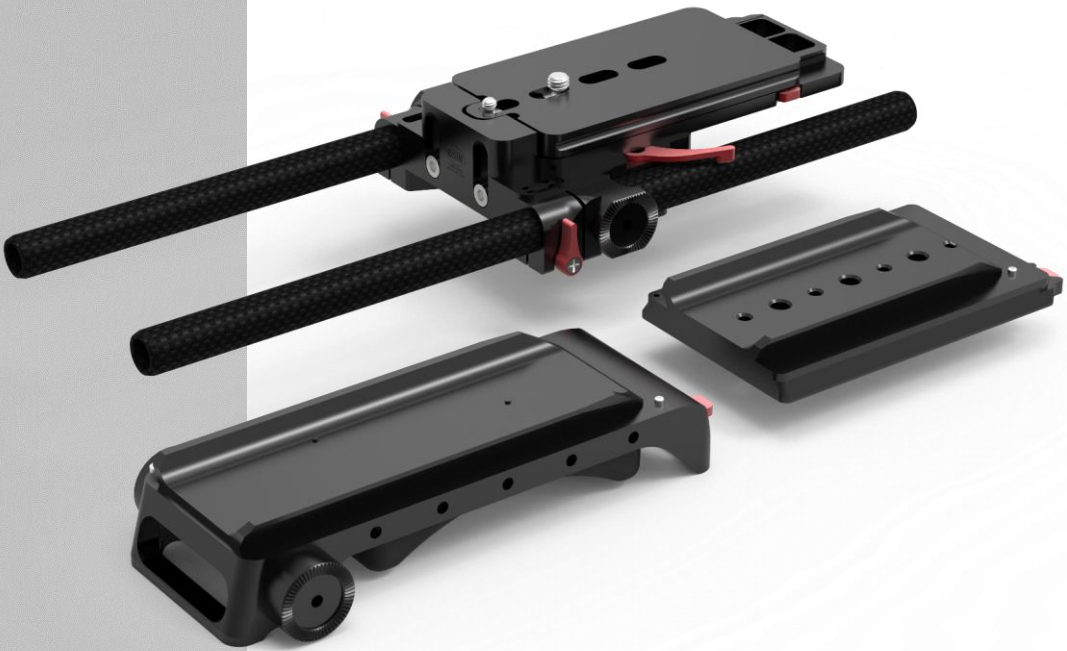




User manual
(US)BP-19 MKII
Version 1.0.0
22-01-2016



Index:

Introduction:.....	3
Box contents:.....	3
Guide to Components:.....	4
Adjusting the rail locks:.....	5
Adjusting the shoulder pad:	5
Attaching the base plate to your camera:.....	6
Height adjustment of the rails:	7
Adjusting the dovetail lock:	8
Accessories:	9
Additional information:	11
Contact data:	12

Introduction:

Thank you for purchasing a Vocas product. You are now the owner of a revolutionary Universal Shoulder Base Plate! (USBP for short) Its great design, the incredible adjustability and quick release are unique in the market. More than 25 years of experience are part of USBP's design and functionality.

We believe that the Vocas USBP gives you the perfect configuration for your camera. You will now experience having your camera in perfect balance. Before you start to use your new accessory, please read these instructions carefully to enjoy optimum performance and a longer service life. Keep this manual in a safe place for future reference.

In the interest of continually improving products, Vocas Systems B.V. reserves the right to update or modify information contained in this manual.

A video (or the latest version of this manual) explaining the features and possibilities of this USBP system is also available on our website: www.vocas.com/accessories/usbp-19-mkii



Box contents:

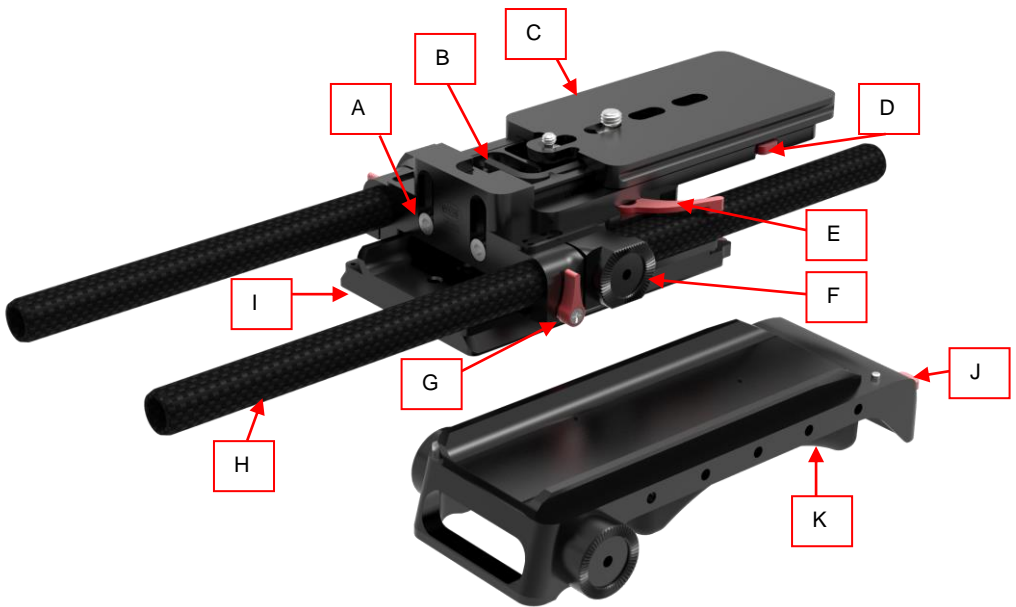
USBP-19 MKII (0350-2205)

- BP-19 MKII base plate
- 2 pc. 19 mm carbon rails length 400 mm
- Short balance dovetail plate (0350-2020)
- Camera adapter plate (0350-2250)
- Dovetail shoulder support (0480-0030)
- Hex key 5 mm
- This manual

BP-19 MKII (0480-0019)

- BP-19 MKII base plate
- 2 pc. 19 mm carbon rails length 400 mm
- Short balance dovetail plate (0350-2020)
- Camera adapter plate (0350-2250)
- Hex key 5 mm
- This manual

Guide to Components:



- A. Camera height adjustment.
- B. Hex key for height adjustment.
- C. Camera adapter plate.
- D. Safety release for camera adapter plate.
- E. Balance plate lock.
- F. Standard rosette (2x).
- G. 19 mm rail lock.
- H. 19 mm rails.
- I. Short balance dovetail plate.
- J. Safety release for shoulder support
- K. Shoulder pad.

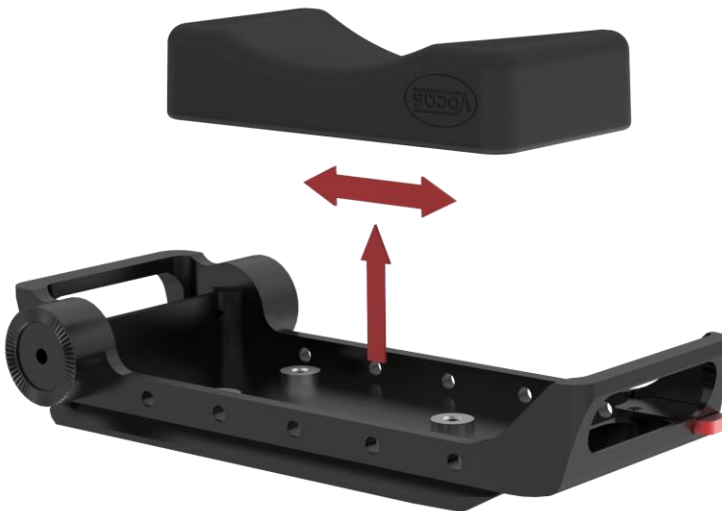
Adjusting the rail locks:

All red winged nuts contain a ratchet mechanism, allowing for easy adjustment of the clamping system. Simply pull red winged nut outward and rotate to adjust.



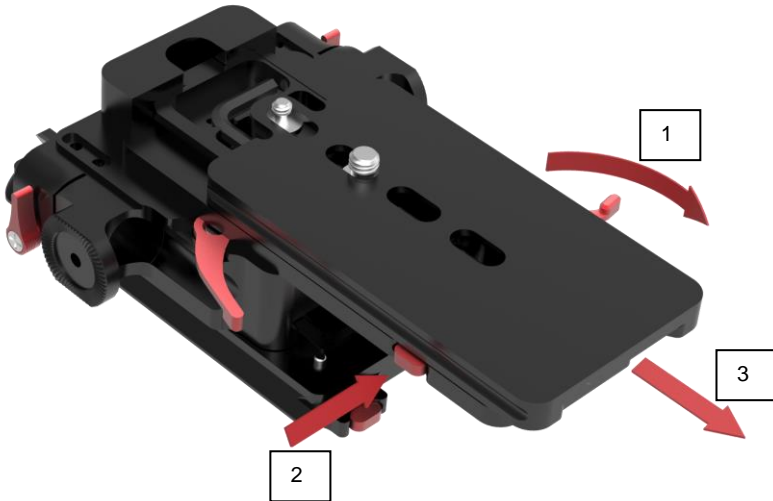
Adjusting the shoulder pad:

For optimal balance the shoulder pad can be placed in the base plate in any of three positions. Simply pull out the shoulder pad (it is attached with magnets) and readjust.

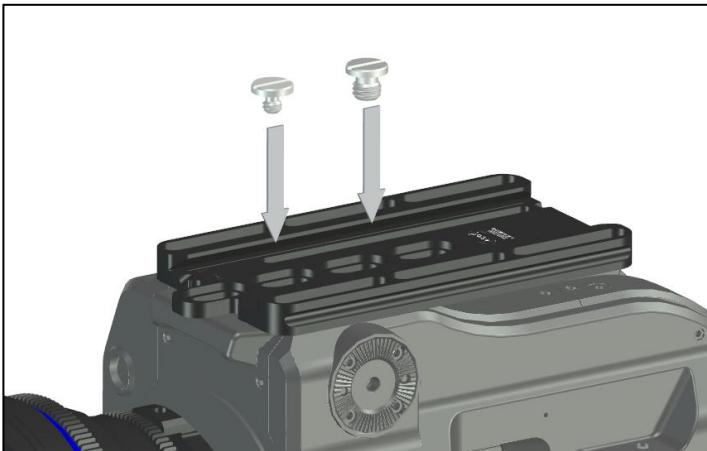


Attaching the base plate to your camera:

First remove the camera adapter plate from the base plate. Do this by pulling the red balance plate lock lever backwards (1) and pressing the red safety release (2). Now slide the camera adapter plate out of the base plate (3).



Next, attach the camera adapter plate to your camera using the provided 1/4" and 3/8" screws.



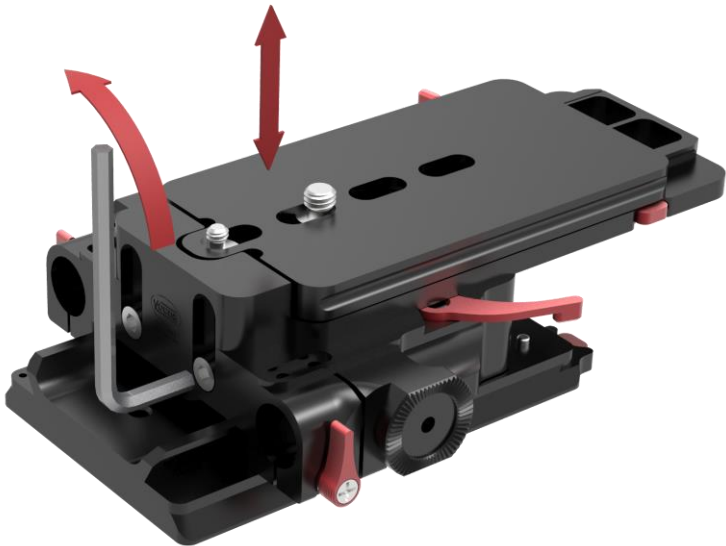
You can now slide the camera with camera adapter plate on the base plate and lock the balance plate lock lever.



Height adjustment of the rails:

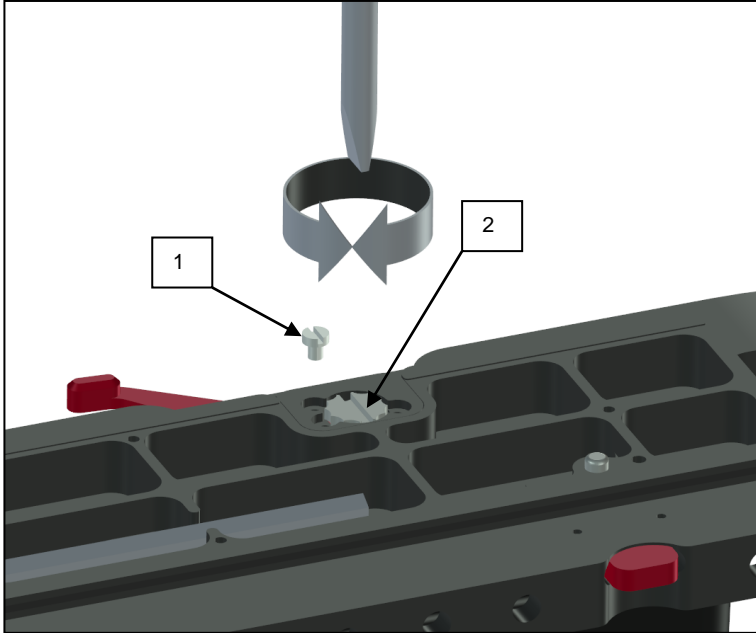
Partially unscrew the two height adjustment screws with the supplied hex key. Adjust the rear of the (US)BP-19 MKII to the desired height. Retighten the two height adjustment screws.

Please note that for more adjustment, there are more sets of threaded holes available in the base plate.



Adjusting the dovetail lock:

1. Remove the locking screw (1).
2. Tighten or loosen the dovetail adjustment screw (2) to adjust the locking mechanism of the dovetail. (CW to tighten CCW to loosen) Often only a very slight adjustment is required.
3. Reattach the locking screw in one of the 3 holes around the dovetail adjustment screw. Choose the hole that lines up the best with the shape of the dovetail adjustment screw.



Accessories:

Quick release dovetail plate 0350-2220



If you don't want to use your camera as a shoulder camera, but for example directly on a tripod, in a drone or in a gimbal, remove your camera from the base plate (using the camera adapter plate) and slide it on the quick release dovetail plate.

This plate is lightweight and provides a flat mounting base.

Shoulder pad standard 0350-2310



This standard rubber pad is included with the dovetail shoulder support, but also available as a spare.

Camera adapter plate (0350-2250)



This camera adapter plate is included with the (US)BP-19 MKII, but also available as a spare.

Camera screw 1/4" 0400-0004, camera screw 3/8" 0400-0003



These camera screws plate are included with the (US)BP-19 MKII, but also available as a spare.

19 mm rails in various lengths



This (US)BP-19 MKII is supplied with a pair of 400 mm long 19 mm carbon rails, but we also have more lengths available. Please see <http://www.vocas.com/accessories/bars>

Separate dovetail plates 0480-0101 & 0350-2021



There are two separate dovetail plates available, namely the long and the short version. A simple short version is included with the (US)BP-19 MKII, but the separate versions also include a quick release button on the side.

Camera adapter plate for Arri Alexa mini. 0490-0045



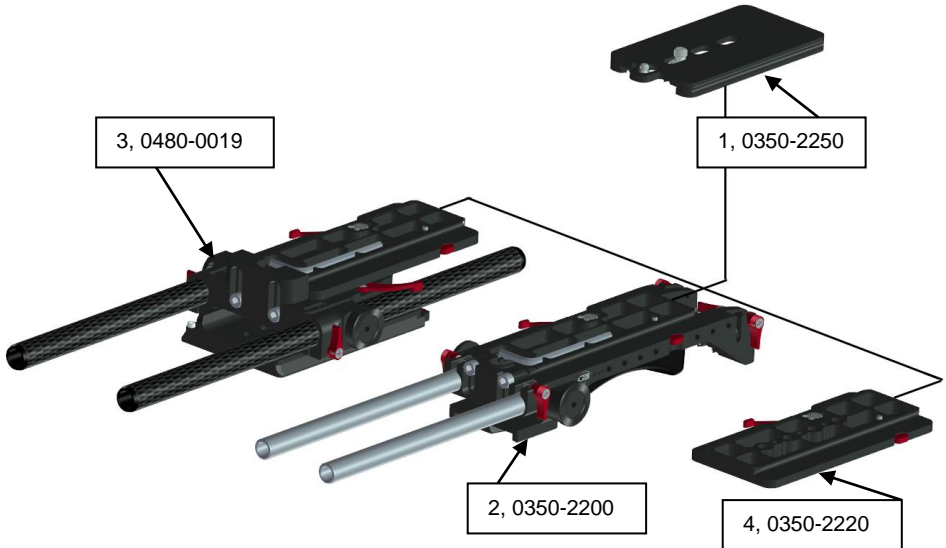
In order to use the (US)BP-19 MKII on an Arri Alexa mini camera, this plate is required.

For all available accessories and compatibilities please check our website: <http://www.vocas.com/accessories/usbp-15-mkii>

Additional information:

This (US)BP-19 MKII is part of our new sliding system.

Once the camera adapter plate (1) is attached to your camera, you can very quickly switch from the 15 mm base plate (2) to the 19 mm base plate (3) or to the Quick release dovetail plate (4)



This (US)BP-19 MKII base plate fits directly (without the camera adapter plate) into the bottom dovetail of an Arri Amira camera.



Contact data:

Vocas Systems B.V.
Larenseweg 121
1221 CL Hilversum, The Netherlands
T: +31(0)35-6233707
www.vocas.com