



User manual
MB-430 matte box
Version 1.0.1



Index:

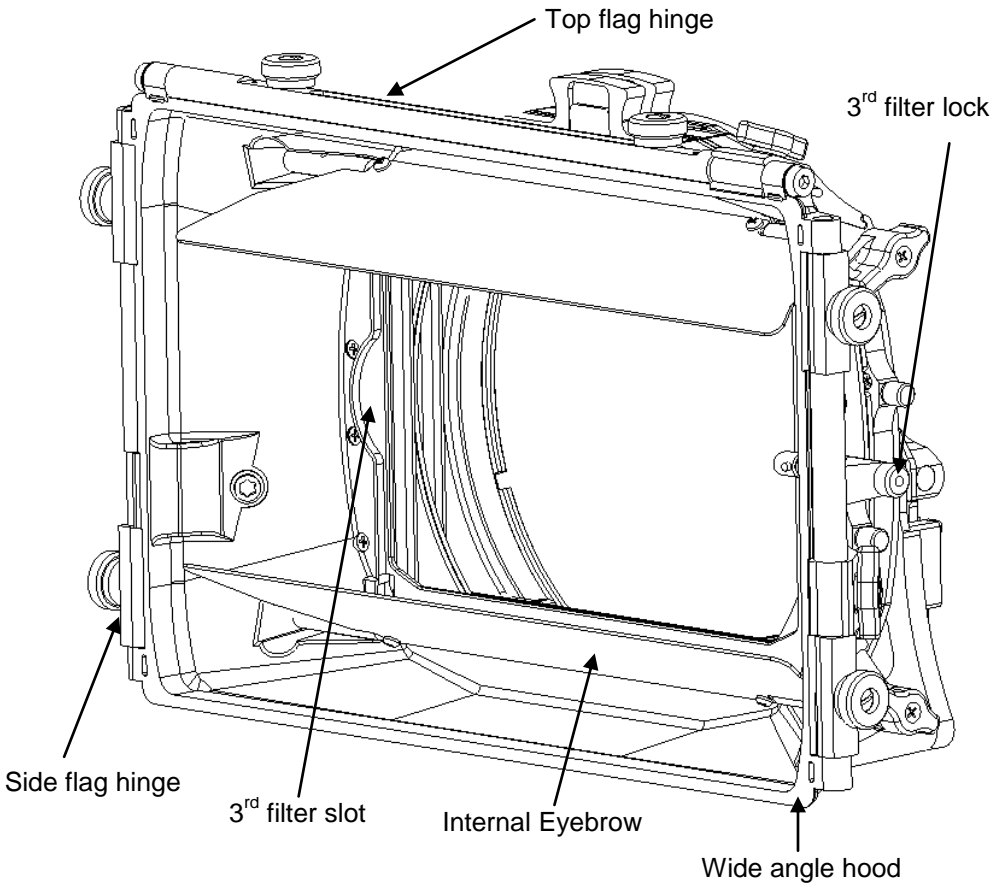
Box contents MB-430 matte box #0400-0430: 2
Guide to components, MB-430 matte box: 3
Common directions for using this matte box: 5
Adjusting the Clamping mechanism of this matte box: 6
Accessories: 7
Contact data 7

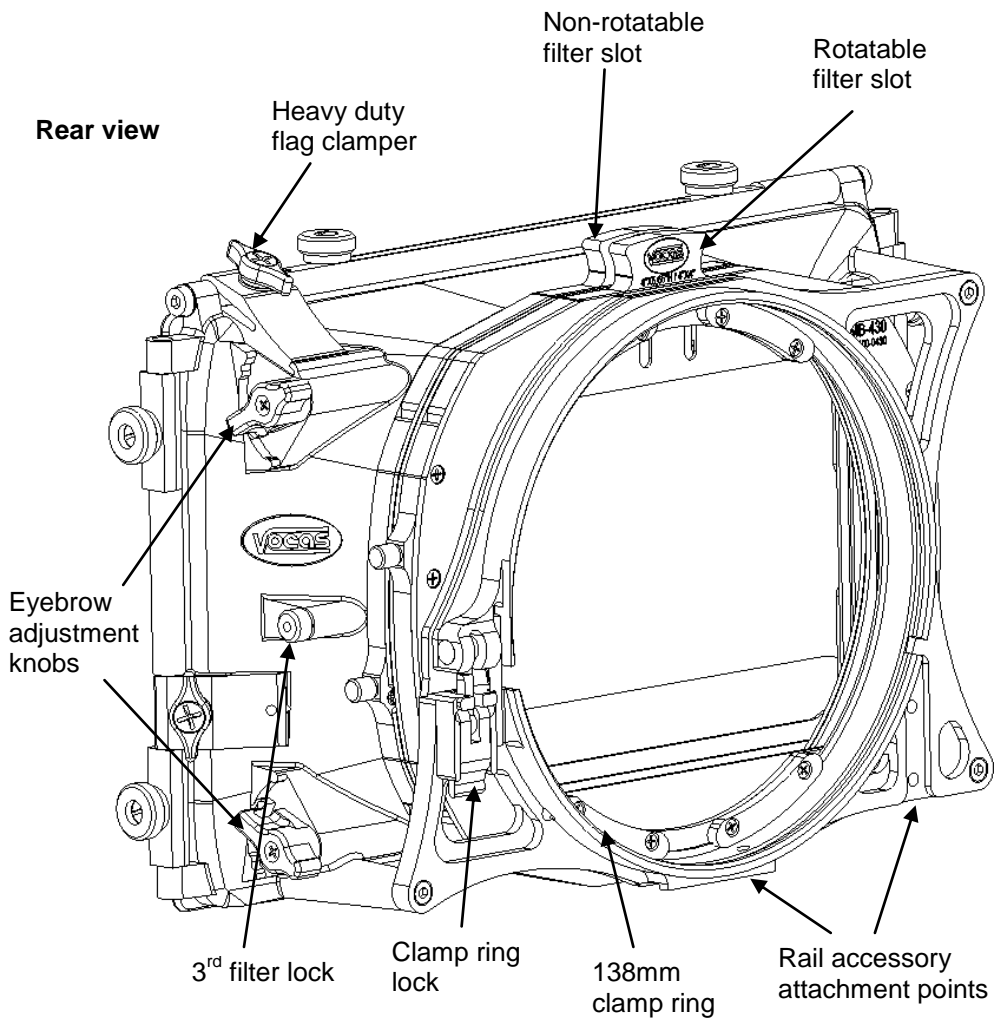
Box contents MB-430 matte box #0400-0430:

- 1 pc. matte box.
- This manual.
- 2 pc. 4"x5.565" & 4"x4" combo filter frame. #0410-0010
- 1pc. Top flag. #0430-0003

Guide to components, MB-430 matte box:

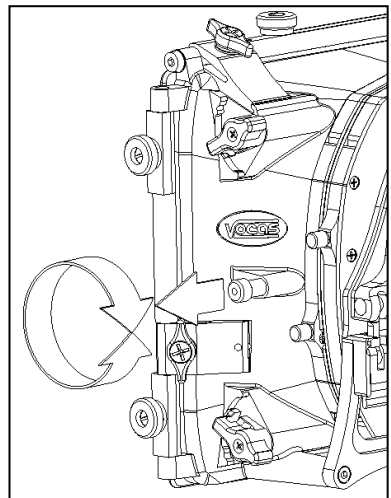
Front view





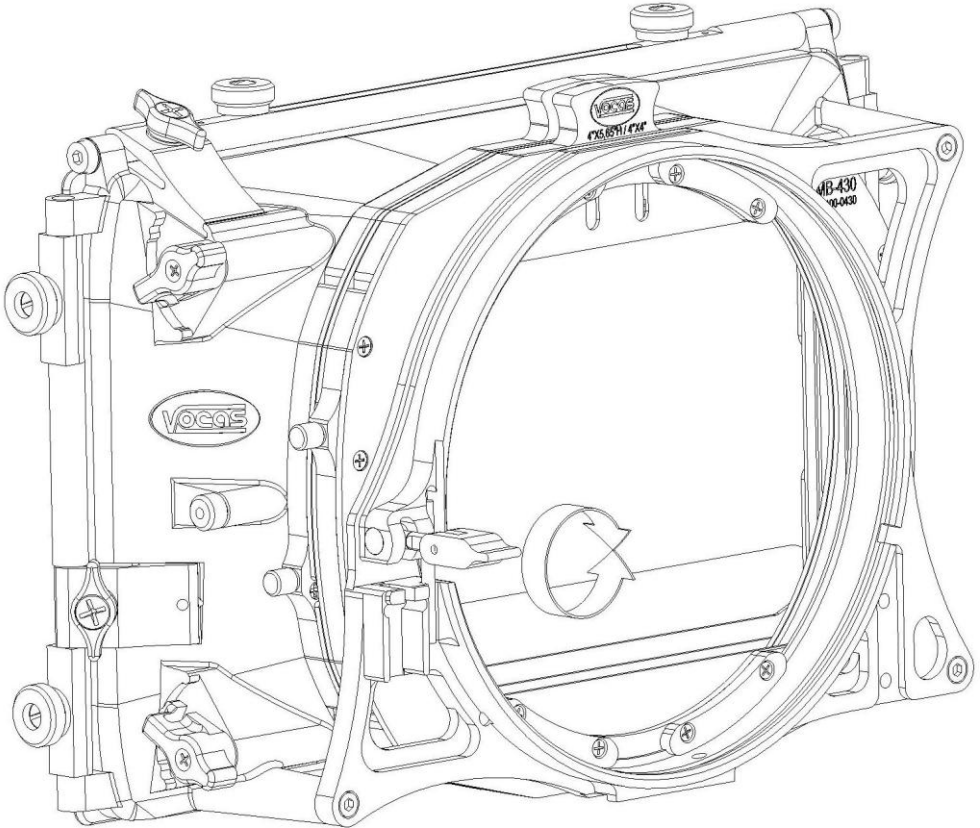
Common directions for using this matte box:

- This matte boxes can be attached to the camera in three ways:
 1. **Clip-on:**
For maximum lightweight and economical operation the matte box attaches directly to the front of a lens. Either with or without a step down adapter ring. The internal rear end diameter of this matte boxes is 138mm.
 2. **15mm Bars adapter.**
This bars adapter attaches your matte box to any 15mm light weight rail support. Functionally connecting your matte box to the base of the camera.
 3. **On 15mm or 19mm swing away bracket**
The swing away bracket connects the matte box to either 15mm light weight or 19mm rails. As with the bars adapter this accessory connects the matte box to the base of the camera, however the swing away bracket also allows the user to quickly change lenses without having to remove the matte box from the rails.
- If the matte box is used on a rail support, we strongly recommend using the flexible adapter ring kit. This is a soft flexible step-down ring. To prevent light from entering from the rear side of the matte box (and reflecting via the filter in front of the lens), the hole in the flexible ring must match the front diameter of the used lens. Therefore the flexible ring can stretch to accommodate most lens diameters.
- For extra reduction of flare, the patented Eyebrows are added in the MB-430. These internal French flags can be adjusted to the zoom position of the lens by rotating the “eyebrow adjustment knobs”.
Caution: Not all viewfinders, LCD screens, and monitors show 100% of the captured image. Therefore, if the eyebrows are adjusted with the help of the LCD screen, it might be possible that the eyebrows come into picture.
- When not using a 3rd filter in the hood compartment, it is recommended to lock the filter lock into the retracted position to avoid possible vignetting. This is done by pulling the knob outward as far as it will go and then twisting counter clockwise.



Adjusting the Clamping mechanism of this matte box:

1. Take the matte box of the lens.
2. Put the clammer in the “open” position.
3. Pull the clammer out of its housing as shown below.
4. Rotate the clammer right to tighten or left to loosen with halve a turn at the time.
5. Put the clammer back in its original position.
(note: please be careful not to over tighten the mechanism).



Accessories:

For all available accessories and compatibilities please check our website:
www.vocas.com

Contact data

Vocas Systems B.V.
Larenseweg 121
1221 CL Hilversum-Netherlands
T:+31(0)35-6233707 F:+31(0)35-6233997
www.vocas.com