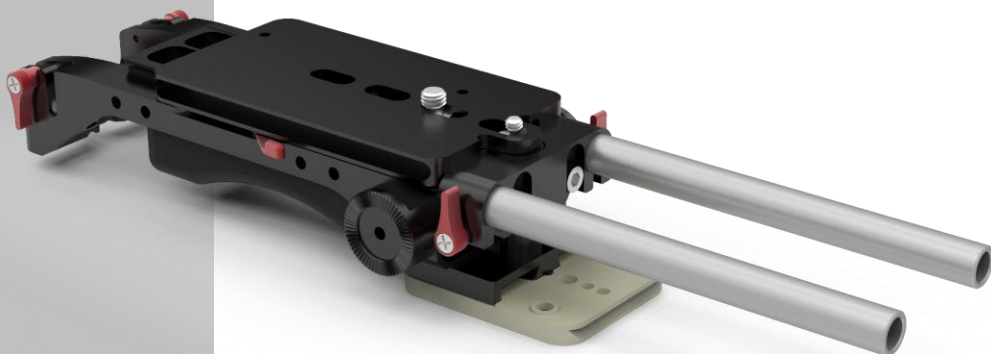




User manual
USBP-15 MKII
Version 1.0.0
19-11-2015



Index:

| | |
|--|----|
| Introduction:..... | 3 |
| Box contents:..... | 3 |
| Guide to Components:..... | 4 |
| Adjusting the rail locks:..... | 5 |
| Adjusting the shoulder pad: | 5 |
| Attaching the base plate to your camera:..... | 6 |
| Height adjustment of the rails: | 7 |
| Adjusting play in the tripod plate connection: | 8 |
| Adjusting the dovetail lock: | 9 |
| Accessories: | 10 |
| Additional information: | 14 |
| Contact data: | 15 |

Introduction:

Thank you for purchasing a Vocas product. You are now the owner of a revolutionary Universal Shoulder Base Plate!

Its great design, the incredible adjustability and quick release are unique in the market. More than 25 years of experience are part of USBP 'design and functionality.

We believe that the Vocas USBP gives you the perfect configuration for your camera. You will now experience having your camera in perfect balance.

Before you start to use your new accessory, please read these instructions carefully to enjoy optimum performance and a longer service life. Keep this manual in a safe place for future reference.

In the interest of continually improving products, Vocas Systems B.V. reserves the right to update or modify information contained in this manual.

A video (or the latest version of this manual) explaining the features and possibilities of this USBP system is also available on our website: www.vocas.com/accessories/usbp-15-mkii



Box contents:

USBP-15 MKII (0350-2200)

USBP-15 MKII base plate

2 pc 15 mm aluminum rails length 210 mm

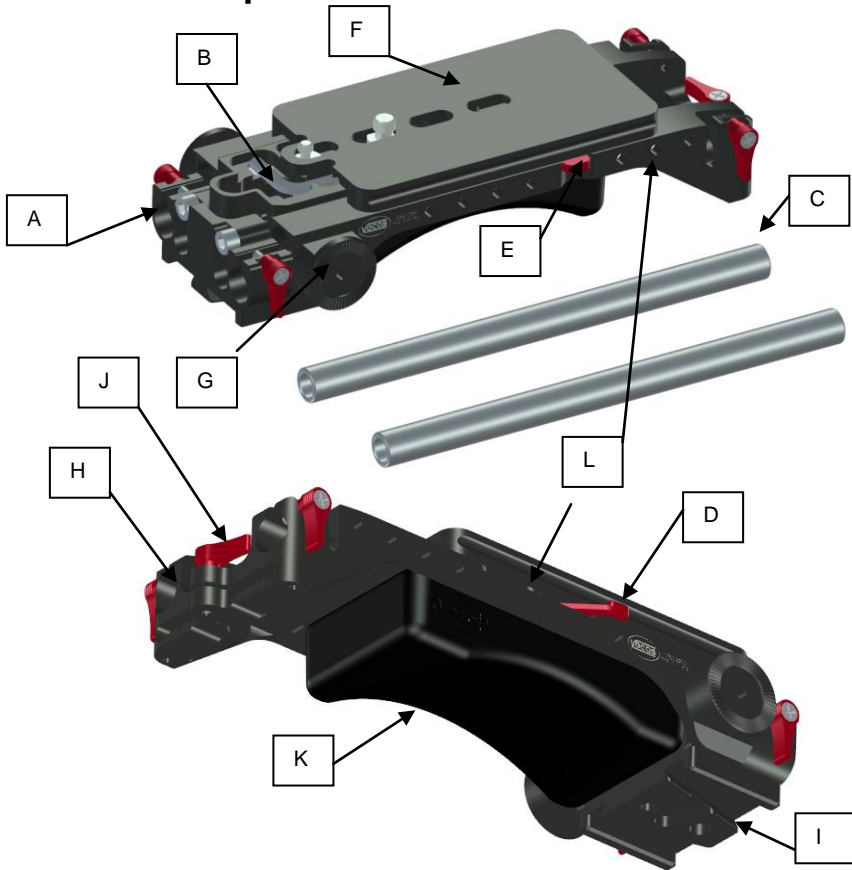
1 pc. Rubber shoulder pad (0350-2310)

1 pc. Hex key 5 mm

Camera adapter plate (0350-2250)

This manual

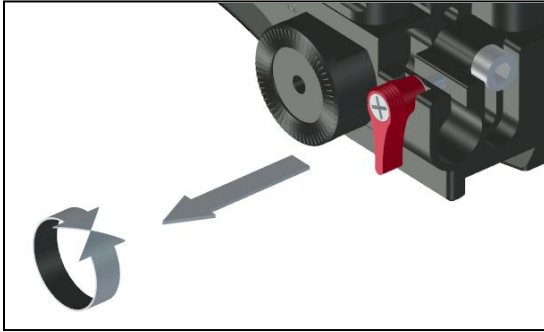
Guide to Components:



- A. Height adjustable clamping block for 15 mm rails with two height adjustment screws.
- B. Hex key for height adjustment.
- C. 15 mm rails.
- D. Balance plate lock.
- E. Safety release for balance plate.
- F. Camera adapter plate.
- G. Standard rosette (2x).
- H. Rear 15 mm rail clamp.
- I. Tripod plate dove tail with 1/4" and 3/8" holes.
- J. Adjustment for tripod plate.
- K. Shoulder pad.
- L. Several 1/4" holes.

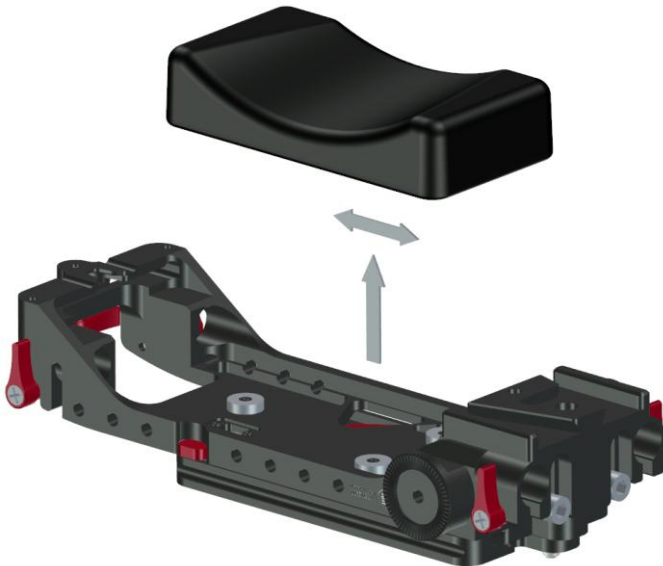
Adjusting the rail locks:

All red winged nuts contain a ratchet mechanism, allowing for easy adjustment of the clamping system. Simply pull red winged nut outward and rotate to adjust.



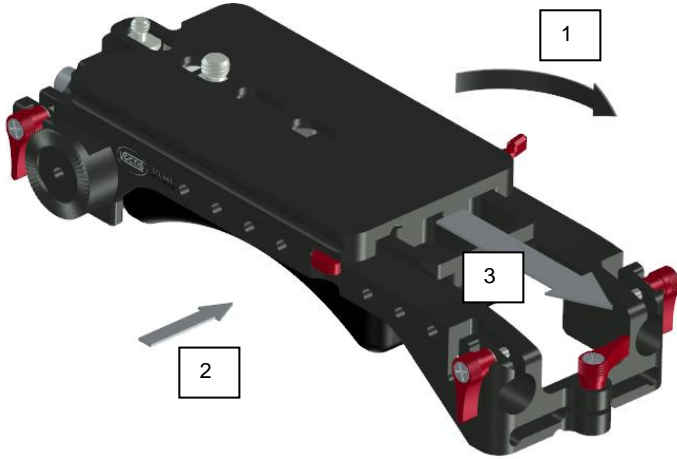
Adjusting the shoulder pad:

For optimal balance the shoulder pad can be placed in the base plate in any of three positions. Simply pull out the shoulder pad (it is attached with magnets) and readjust.

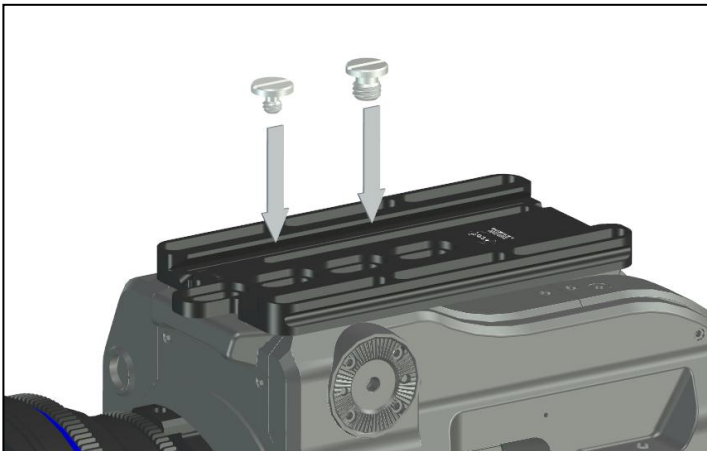


Attaching the base plate to your camera:

First remove the camera adapter plate from the base plate. Do this by pulling the red balance plate lock lever backwards (1) and pressing the red safety release (2). Now slide the camera adapter plate out of the base plate (3).



Next, attach the camera adapter plate to your camera using the provided 1/4" and 3/8" screws.



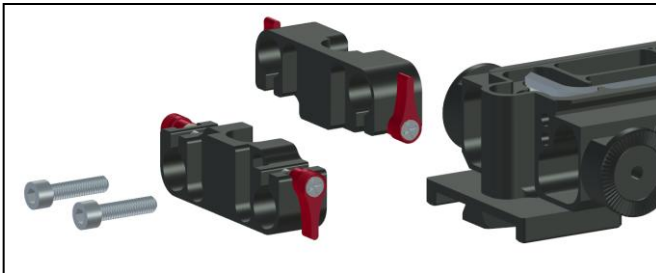
You can now slide the camera with camera adapter plate on the base plate and lock the balance plate lock lever.



Height adjustment of the rails:

Partially unscrew the two height adjustment screws with the supplied hex key. Align the 15mm rails with the camera lens using the Alignment card. The circular pattern should be centered on the camera lens. Retighten the two height adjustment screws.

Please note that for more adjustment, there are more sets of threaded holes available in the base plate and that the 15 mm clamping block can also be used upside down for even more adjustment.

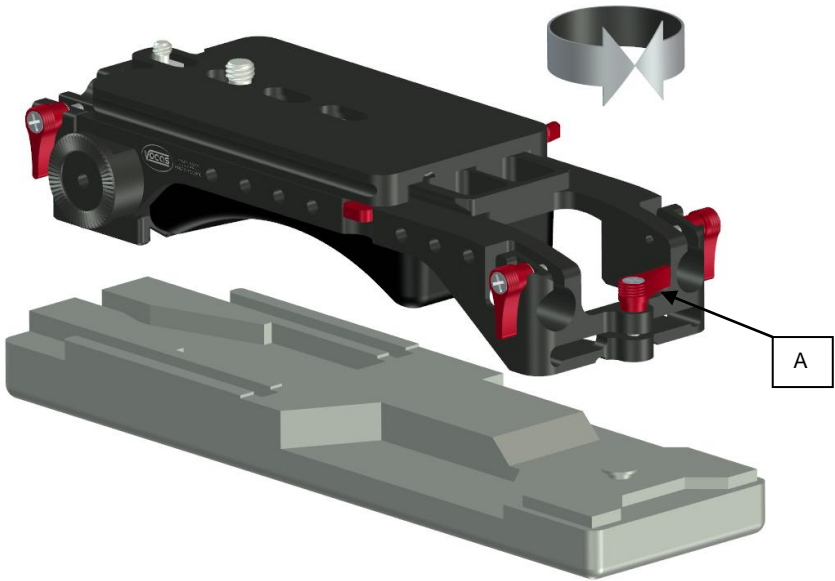


Adjusting play in the tripod plate connection:

This base plate can be used directly on the industry standard quick release tripod plates such as the Sony VCT-14.

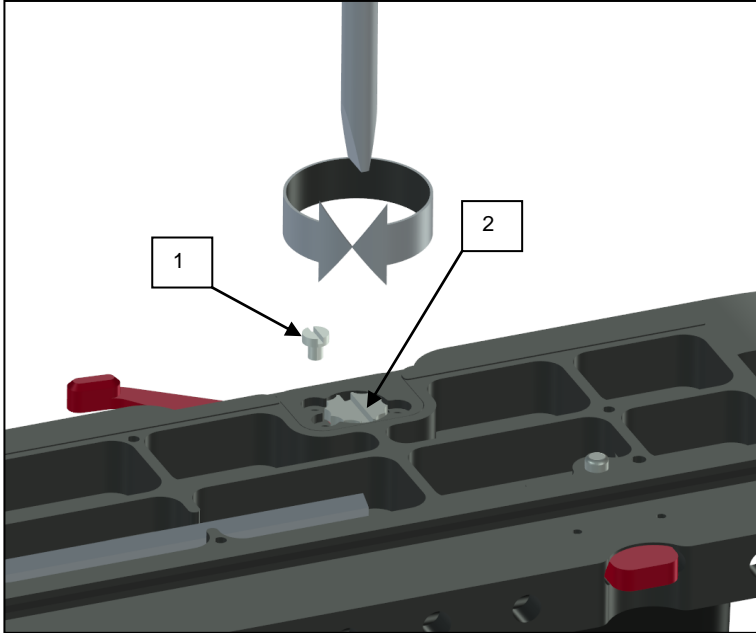
In some cases (especially when the tripod plate is old and worn out), some play between the Vocas USBP-15 MKII base plate and the tripod plate may occur.

In this case the central red winged nut (A) at the back of the USBP15MKII base plate can be used to readjust the play. Simply tighten this red winged nut to remove any play.



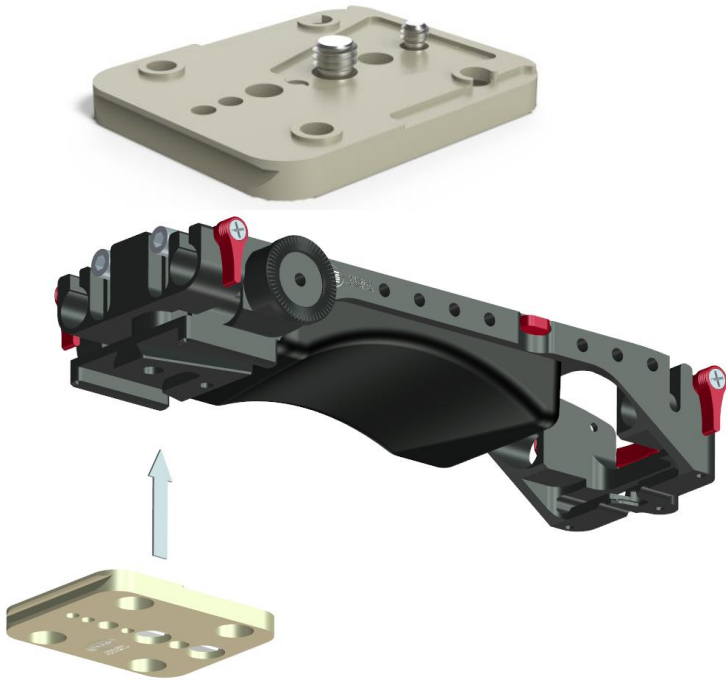
Adjusting the dovetail lock:

1. Remove the locking screw (1).
2. Tighten or loosen the dovetail adjustment screw (2) to adjust the locking mechanism of the dovetail. (CW to tighten CCW to loosen) Often only a very slight adjustment is required.
3. Reattach the locking screw in one of the 3 holes around the dovetail adjustment screw. Choose the hole that lines up the best with the shape of the dovetail adjustment screw.



Accessories:

Flat base plate for USBP-15 MKII, 0350-2031

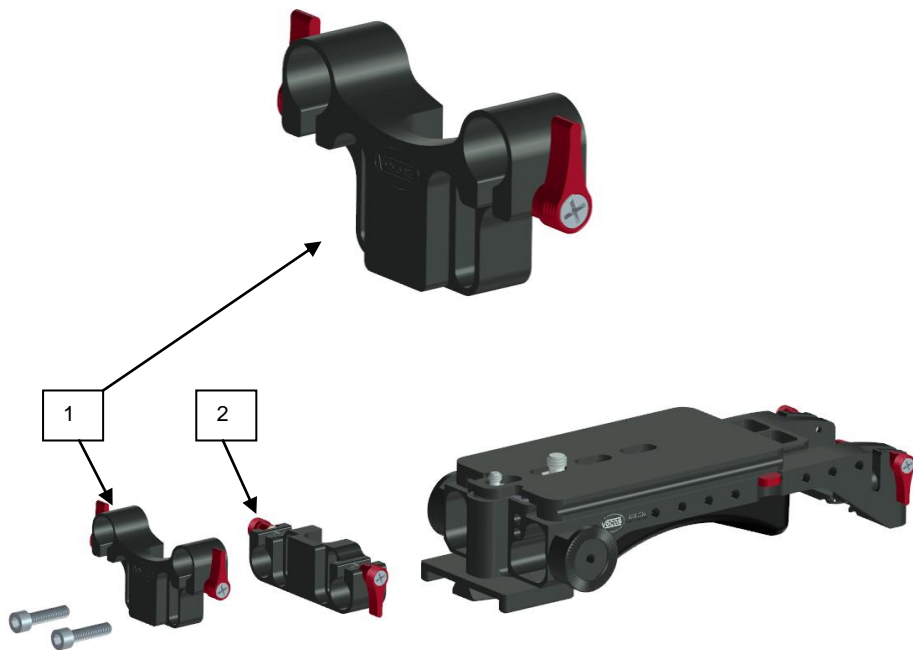


This plate can be attached underneath the tripod plate dove tail using the included 1/4" and a 3/8" screws.

If the USBP-15 MKII base plate is not used on a VCT-14 like tripod plate this flat base plate can be used.

Once attached, this plate fits directly in tripod heads that use the Sachtler medium tripod plate, or you can attach any other tripod plate to use it for use with other tripods.

15 mm Clamping block high for USBP-15 MKII, 0350-2210



This extra high clamping block can be used when more height adjustment is required. For example, cameras such as RED Scarlet, Epic, Weapon or Raven require this higher clamping block. This clamping block high (1) replaces the original clamping block (2).

Quick release dovetail plate 0350-2220



If you don't want to use your camera as a shoulder camera, but for example directly on a tripod, in a drone or in a gimbal, remove your camera from the base plate (using the camera adapter plate) and slide it on this plate.

This plate is lightweight and provides a flat mounting base.

Shoulder pad standard 0350-2310



This standard rubber pad is included with the USBP-15 MKII, but also available as a spare.

Camera adapter plate (0350-2250)



This camera adapter plate is included with the USBP-15 MKII, but also available as a spare.

Camera screw 1/4" 0400-0004, Camera screw 3/8" 0400-0003



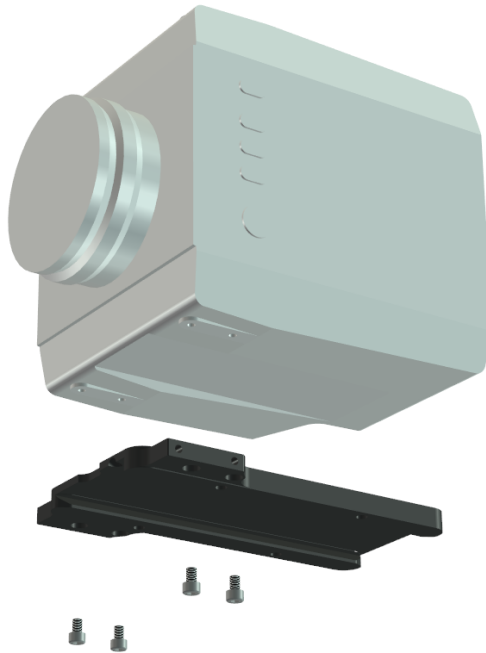
These camera screws plate are included with the USBP-15 MKII, but also available as a spare.

15 mm rails in various lengths



This USBP-15 MKII is supplied with a pair of 210 mm long 15 mm rails, but we also have more lengths available. Please see <http://www.vocas.com/accessories/bars>

Camera adapter plate for Arri Alexa mini. 0490-0045



In order to use the USBP-15 MKII on an Arri Alexa mini camera, this plate is required.

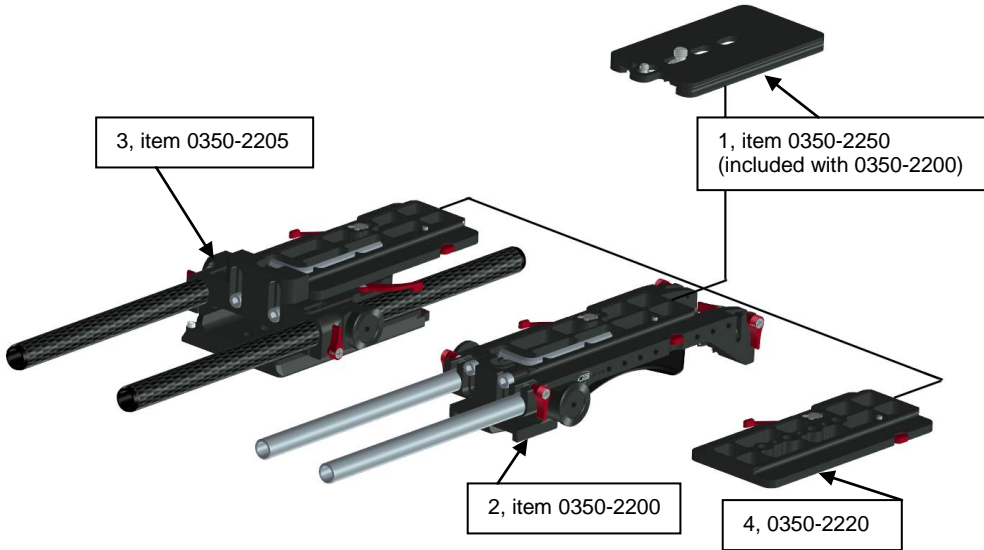
For all available accessories and compatibilities please check our website:

<http://www.vocas.com/accessories/usbp-15-mkii>

Additional information:

This USBP-15 MKII is part of our new “sliding system”.

Once the camera adapter plate (1) is attached to your camera, you can very quickly switch from the 15 mm base plate (2) to the 19 mm base plate (3) or to the Quick release dovetail plate (4)



This USBP-15 MKII base plate fits directly (without the camera adapter plate) into the bottom dovetail of an Arri Amira camera.



Contact data:

Vocas Systems B.V.
Larenseweg 121
1221 CL Hilversum, The Netherlands
T: +31(0)35-6233707
www.vocas.com