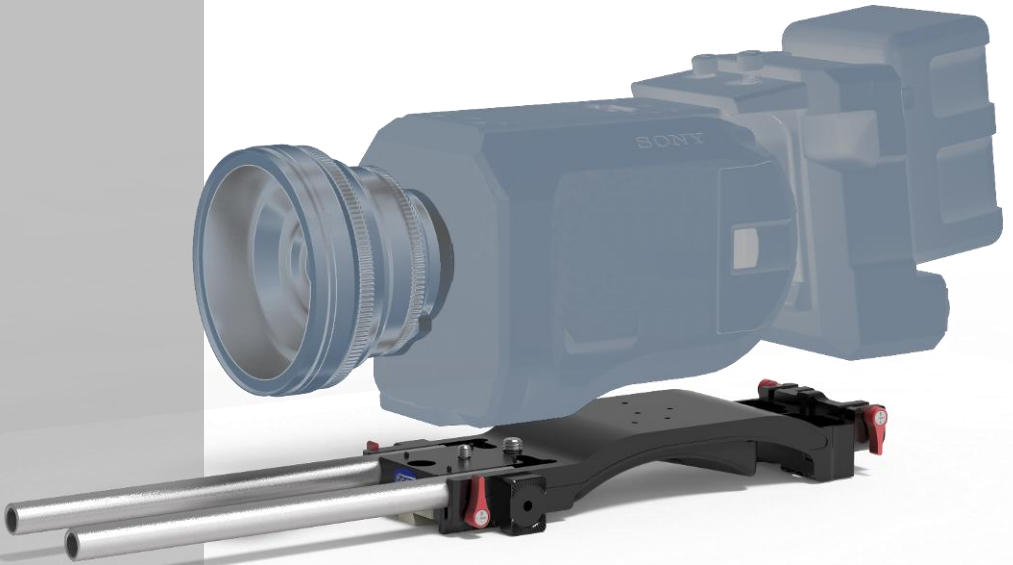




User manual
Base plate for
Sony PXW-FS7
Version 1.0.1



Index:

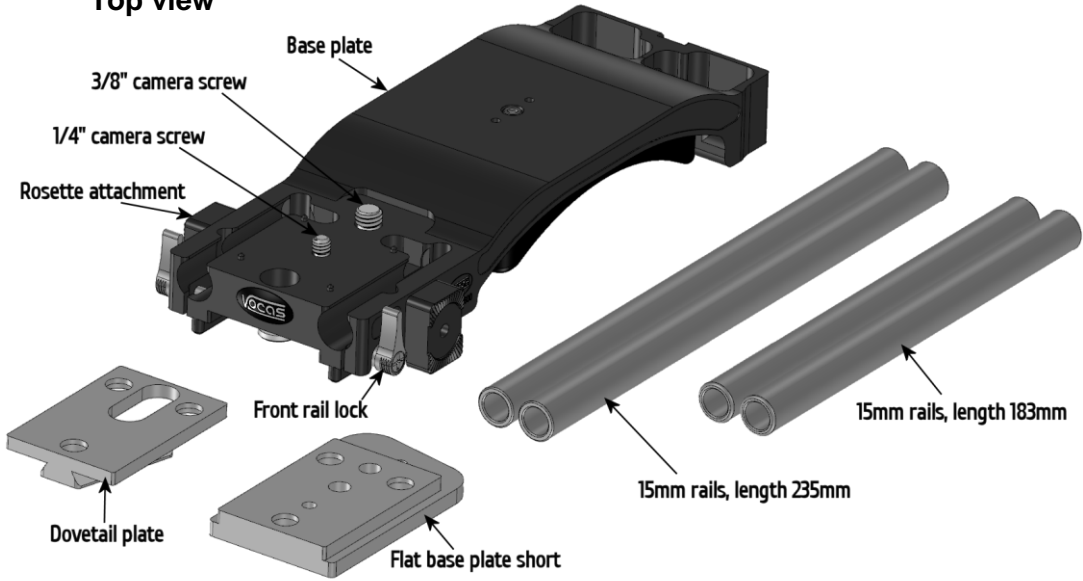
Content Base plate for Sony PXW-FS7 0350-1600:	2
Guide to components:.....	3
Common directions for using this rail support:	4
Optional accessories:	7
Contact data:.....	8

Content Base plate for Sony PXW-FS7 0350-1600:

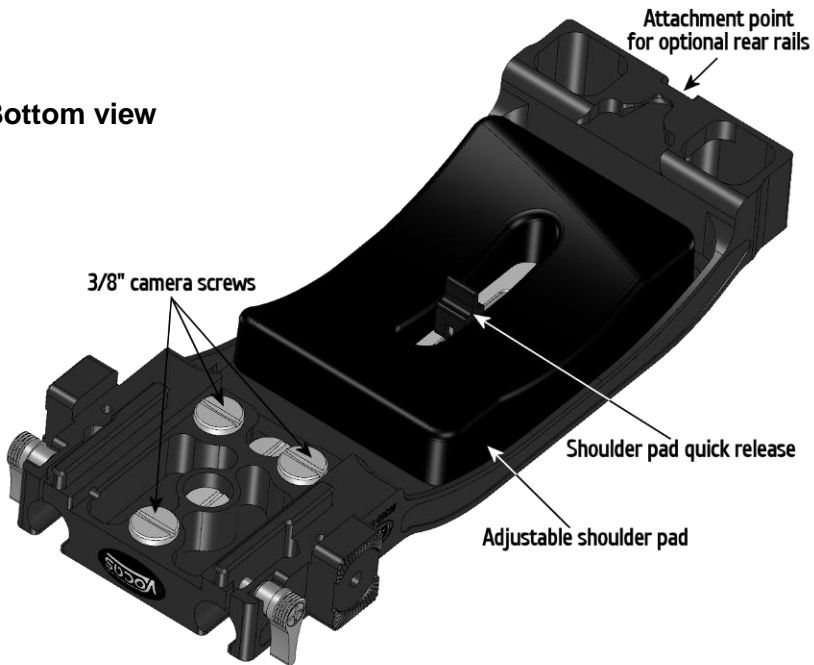
- Base plate for Sony PXW-FS7
- This manual
- 2 pc. Rails 235mm (0350-9235)
- 2 pc. Rails 183mm (0350-9183)
- 1 pc. Dove tail plate (0350-1010)
- 1pc. Flat base plate short (0350-1025)

Guide to components:

Top view



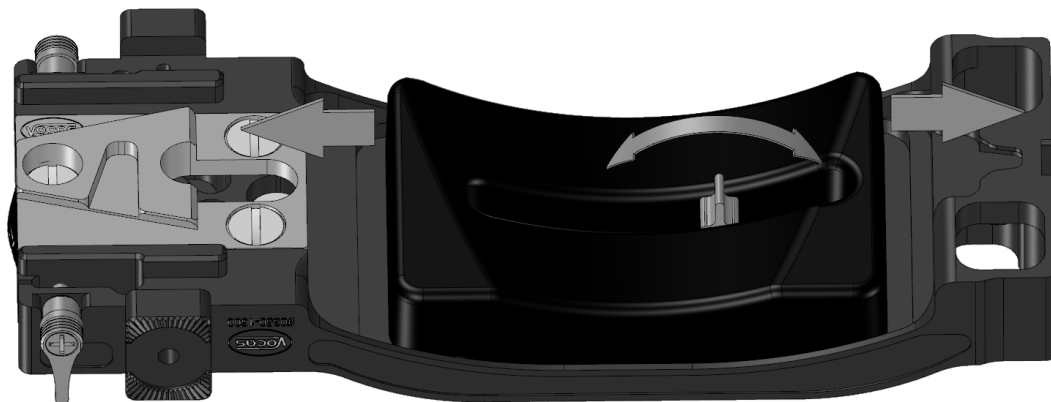
Bottom view



Common directions for using this rail support:

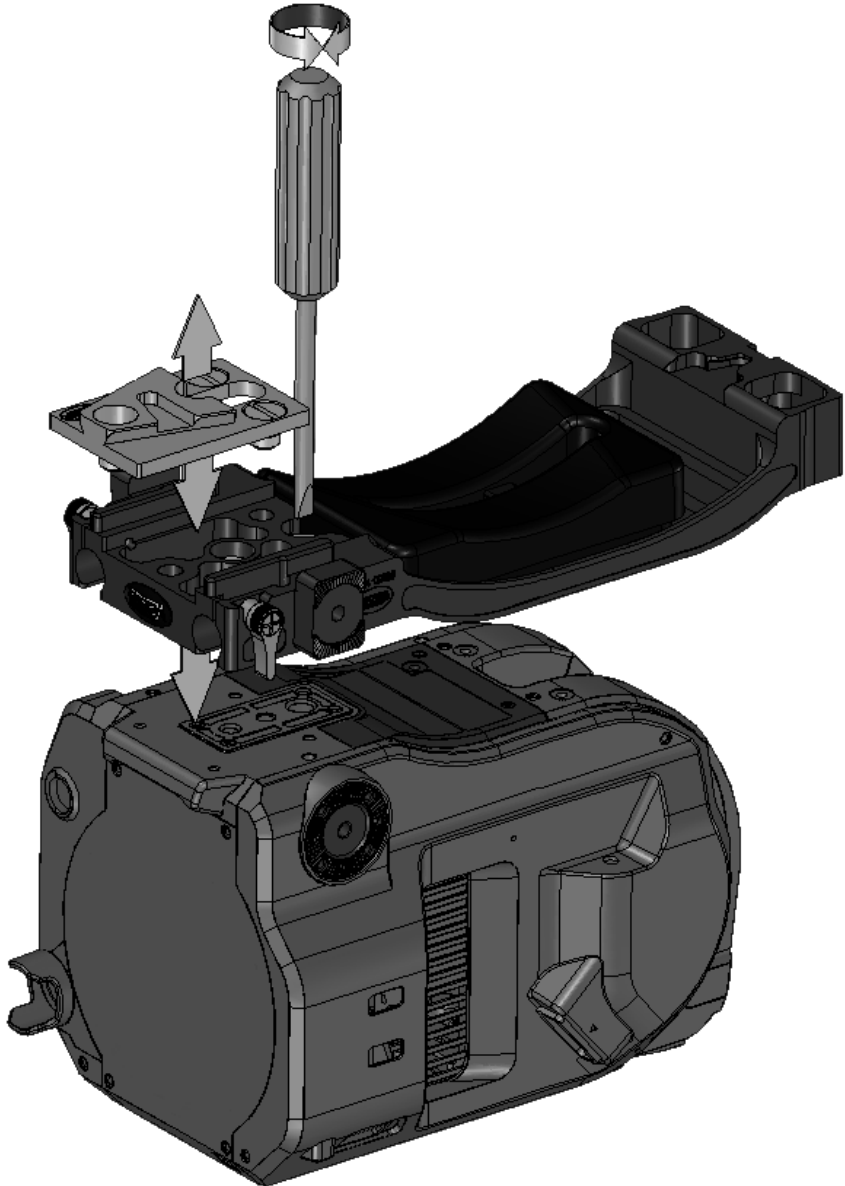
Adjusting the shoulder support of the base plate:

1. Flip the quick release lever upwards to unlock the shoulder pad.
2. Move the shoulder pad to the desired position. (perfect balance)
3. Flip the quick release lever back down in the locked position.

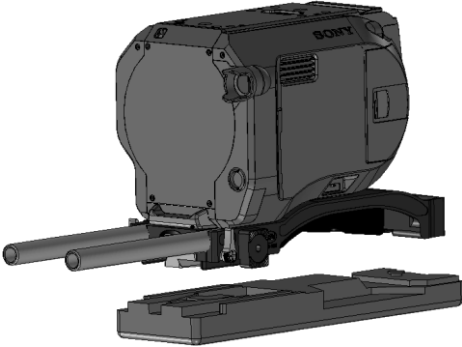
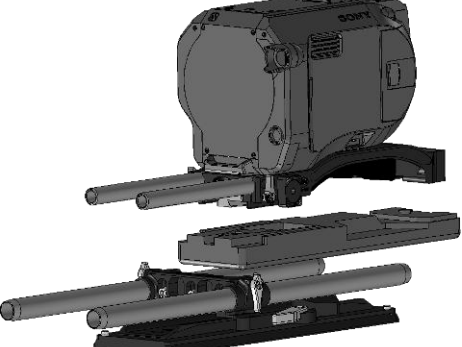


Attaching the base plate to the camera:



1. Remove the dove tail plate from the base plate.
2. Align the two camera screws with the holes in the camera.
3. Tighten the two camera screws using a screw driver.
4. Reattach the dovetail plate on the base plate.



When to use the dovetail plate 0350-1010:

 A line drawing of a Sony VCT14 camera mounted on a dovetail plate 0350-1010. The camera is shown from a three-quarter rear view, and the plate is positioned below it, ready to be attached to the base of the camera.	 A line drawing of a Sony VCT14 camera mounted on a Sony VCT14 & Vocas BP-19 balance plate 0480-0001. The camera is shown from a three-quarter rear view, and the balance plate is positioned below it, ready to be attached to the base of the camera.
<p>In combination with a Sony VCT14</p>	<p>In combination with Sony VCT14 & Vocas BP-19 balance plate 0480-0001</p>

When to use the flat base plate short 0350-1025 or long 0350-1020:

 A line drawing of a Sony VCT14 camera mounted directly on a tripod using a tripod plate. The camera is shown from a three-quarter rear view, and the tripod plate is positioned below it, ready to be attached to the base of the camera.	 A line drawing of a Sony VCT14 camera mounted on a Flat base plate 0350-1020 and BP-18 0480-0018. The camera is shown from a three-quarter rear view, and the base plate is positioned below it, ready to be attached to the base of the camera.
<p>Directly on tripod using a tripod plate</p>	<p>In combination with Flat base plate 0350-1020 and BP-18 0480-0018</p>

Optional accessories:

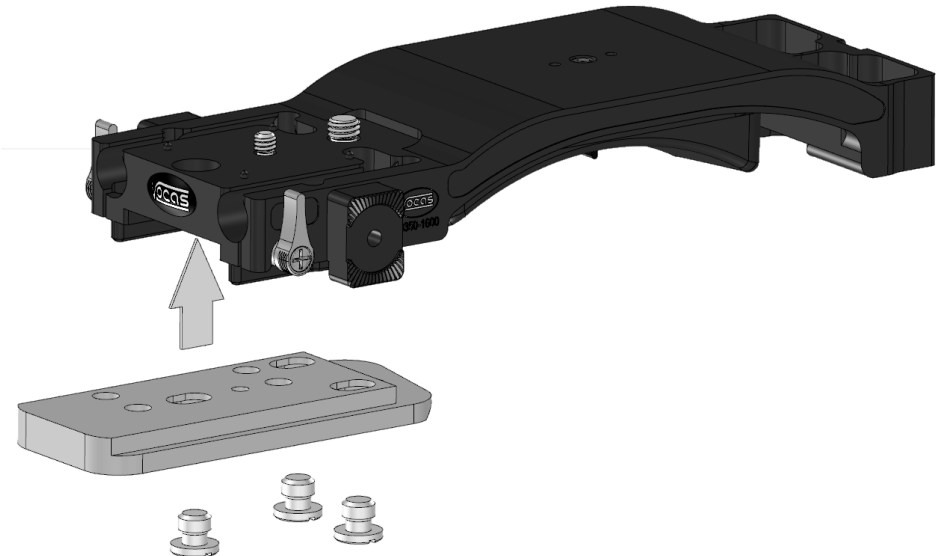
15mm clamping block for rear rails 0350-2010:

This height adjustable clamping block allows the use of rear 15mm rails.



Flat base plate long 0350-1020:

This longer base plate allows the use of the BP-18 balance plate 0480-0018.



Contact data:

Vocas Systems B.V.

Larenseweg 121

1221 CL Hilversum-Netherlands

T:+31(0)35-6233707 F:+31(0)35-6233997

www.vocas.com