



User manual
Base plate for
Sony PMW-F5/55
Version 1.0.3



Index:

Content Base plate for Sony PMW-F5/55 #0350-1000:	2
Fit chart:	3
Guide to components:.....	4
Common directions for using this rail support:	5

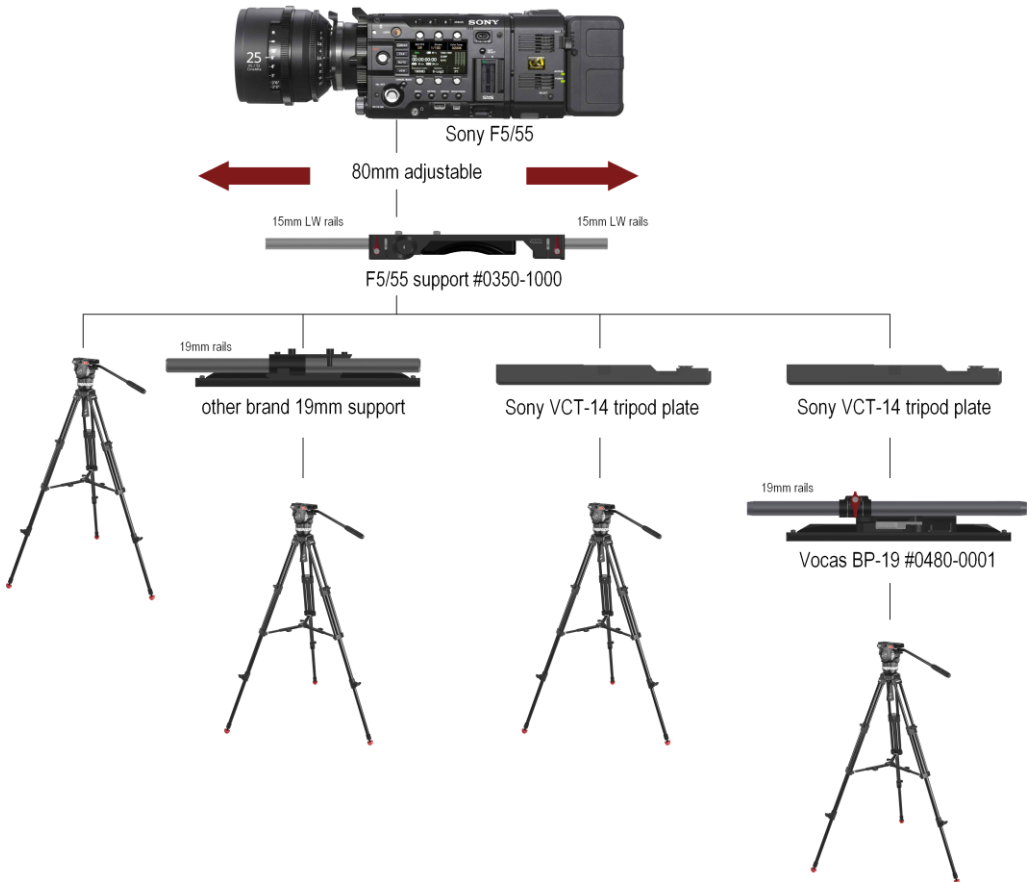
Content Base plate for Sony PMW-F5/55 #0350-1000:

- Base plate for Sony PMW-F5/55
- This manual
- 2 pc. Rails 235mm
- 2 pc. Rails 183mm
- 1 pc. Dove tail plate
- 1pc. Flat base plate short

Fit chart:

This support is tested and approved on the following cameras:

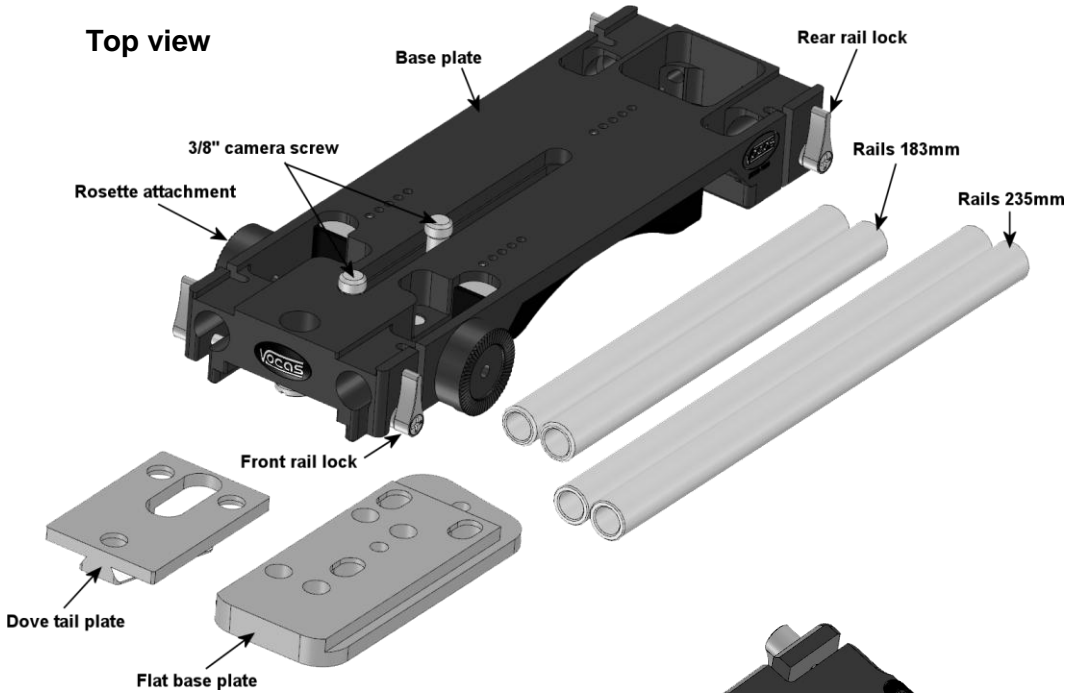
- Sony PMW-F5
- Sony PMW-F55



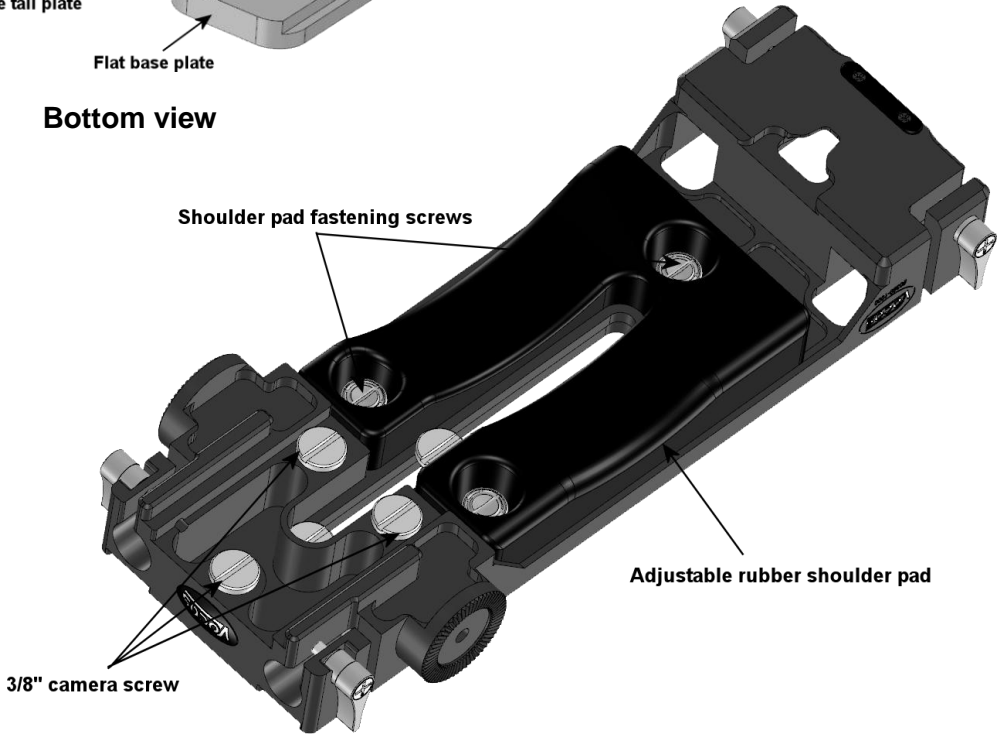
Please check www.vocas.com for the latest available accessories and fit chart.

Guide to components:

Top view



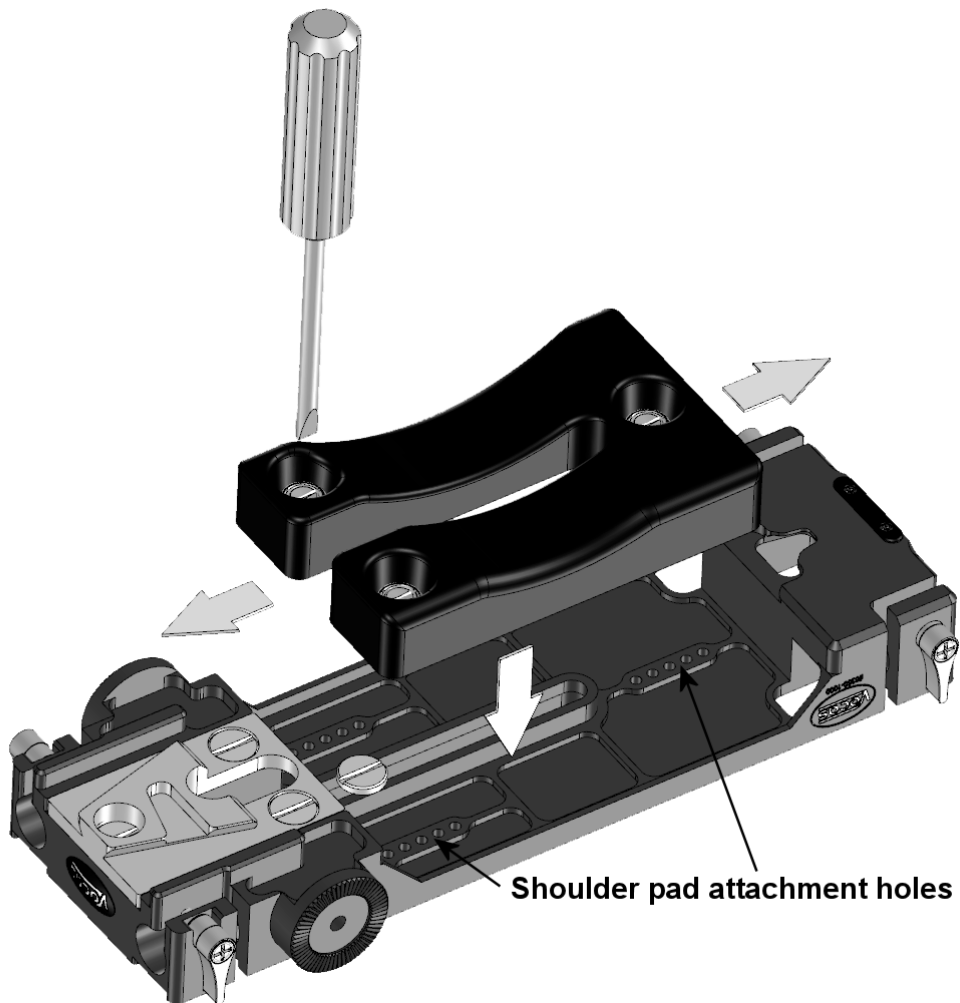
Bottom view



Common directions for using this rail support:

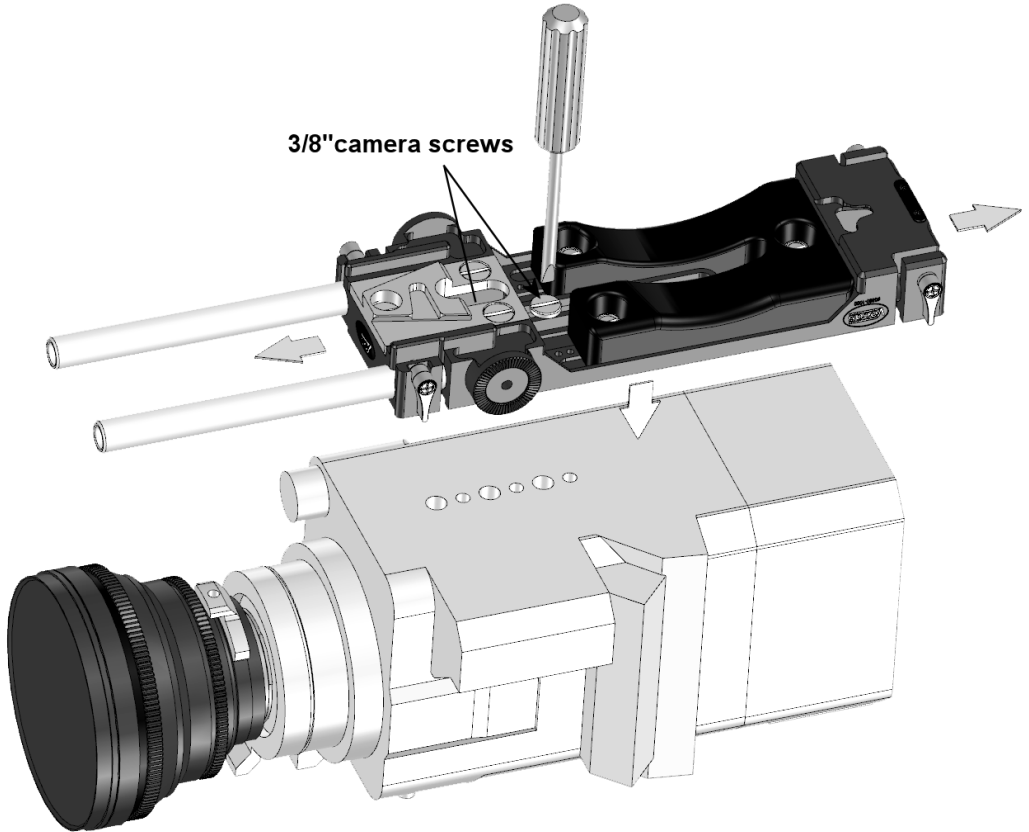
Adjusting the shoulder support of the base plate:

1. Unscrew the 3 screws holding the rubber pad in place.
2. Select the position of the rubber pad (1 of the 5 holes).
3. Reattach the rubber pad to the base plate using the 3 screws.



Attaching the base plate to the camera:

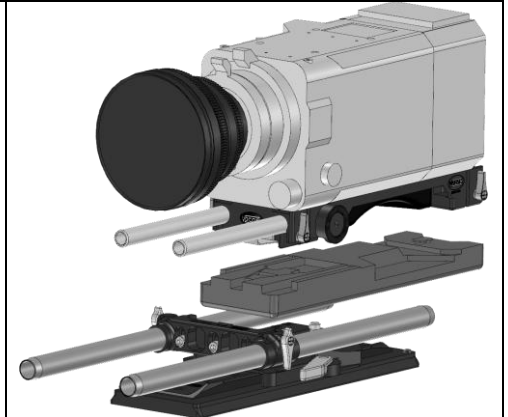
1. Position the base on the desired horizontal position.
2. Align the two 3/8" camera screws with the holes in the camera.
3. Tighten the two 3/8" camera screws using a screw driver.



When to use the dove tail plate:

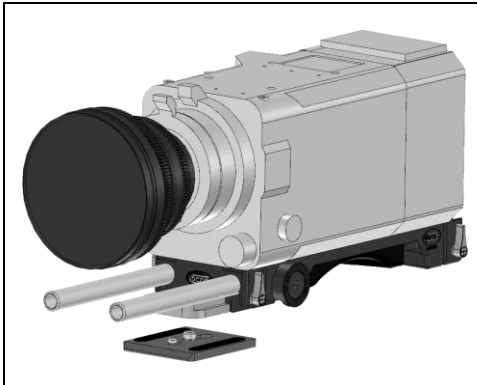


In combination with a Sony VCT14

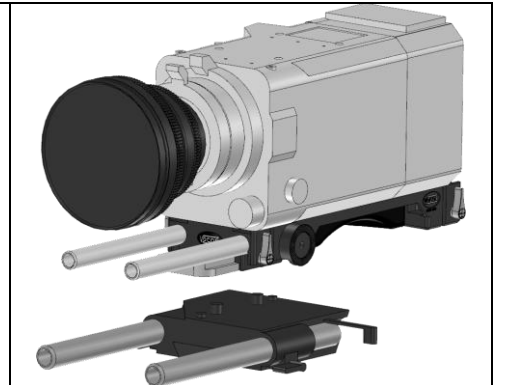


In combination with Sony VCT14 & Vocas BP-19 balance plate

When to use the flat base plate:



Directly on tripod using a tripod plate



In combination with other brand's 19mm support

Contact data:

Vocas Systems B.V.

Larenseweg 121

1221 CL Hilversum-Netherlands

T:+31(0)35-6233707 F:+31(0)35-6233997

www.vocas.com