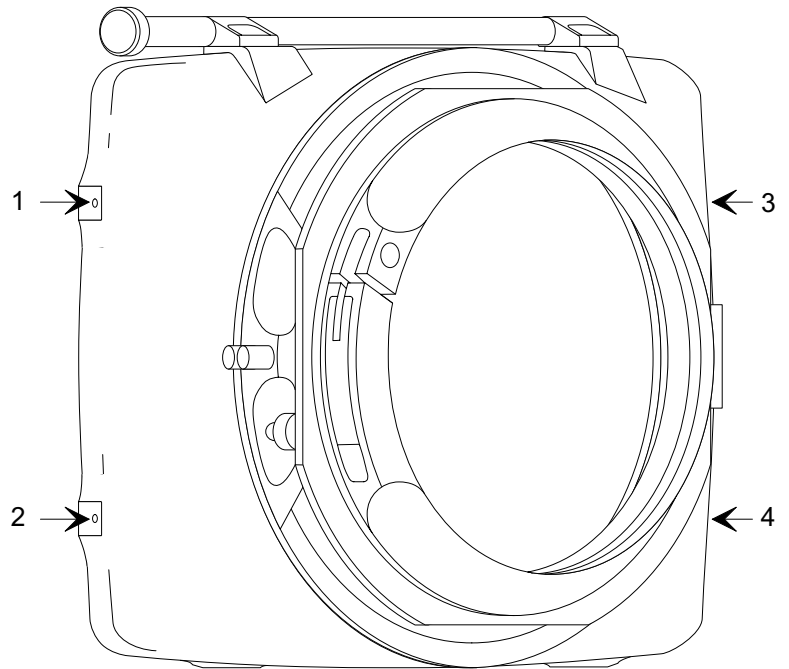




How to mount the side flaps to the Vocas MB-300/320/350 mattebox?  
After serial number A6141.

-Drill 4 times through the pre-centered holes in the hood with portable drilling machine and supplied 2,5MM. drill.



-Attach each side flap holder with 2 crosshead parkers (2,2X6,5 MM.).  
Note: there is one right-type and one left-type flap holder.

