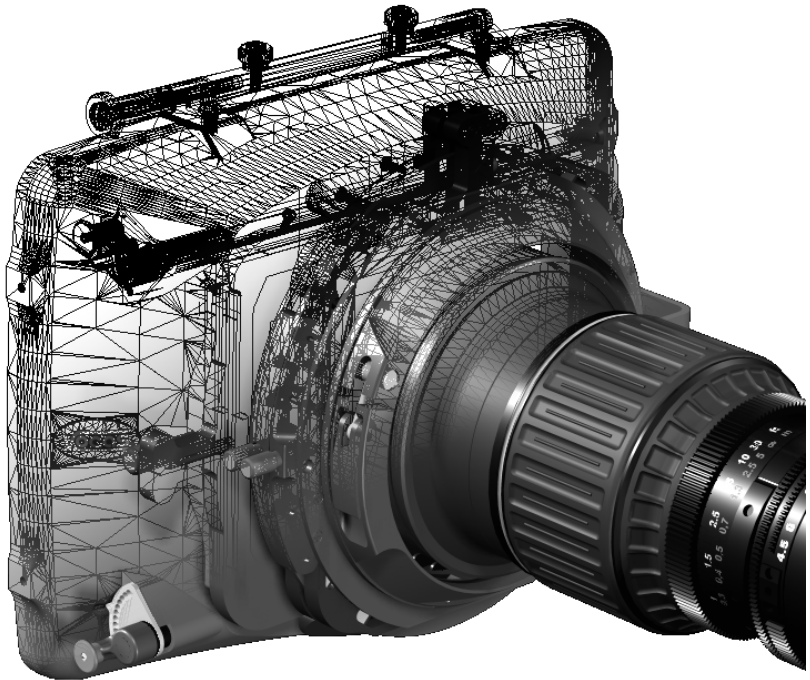




User manual
MB-350 matte box
Version 2.0.1



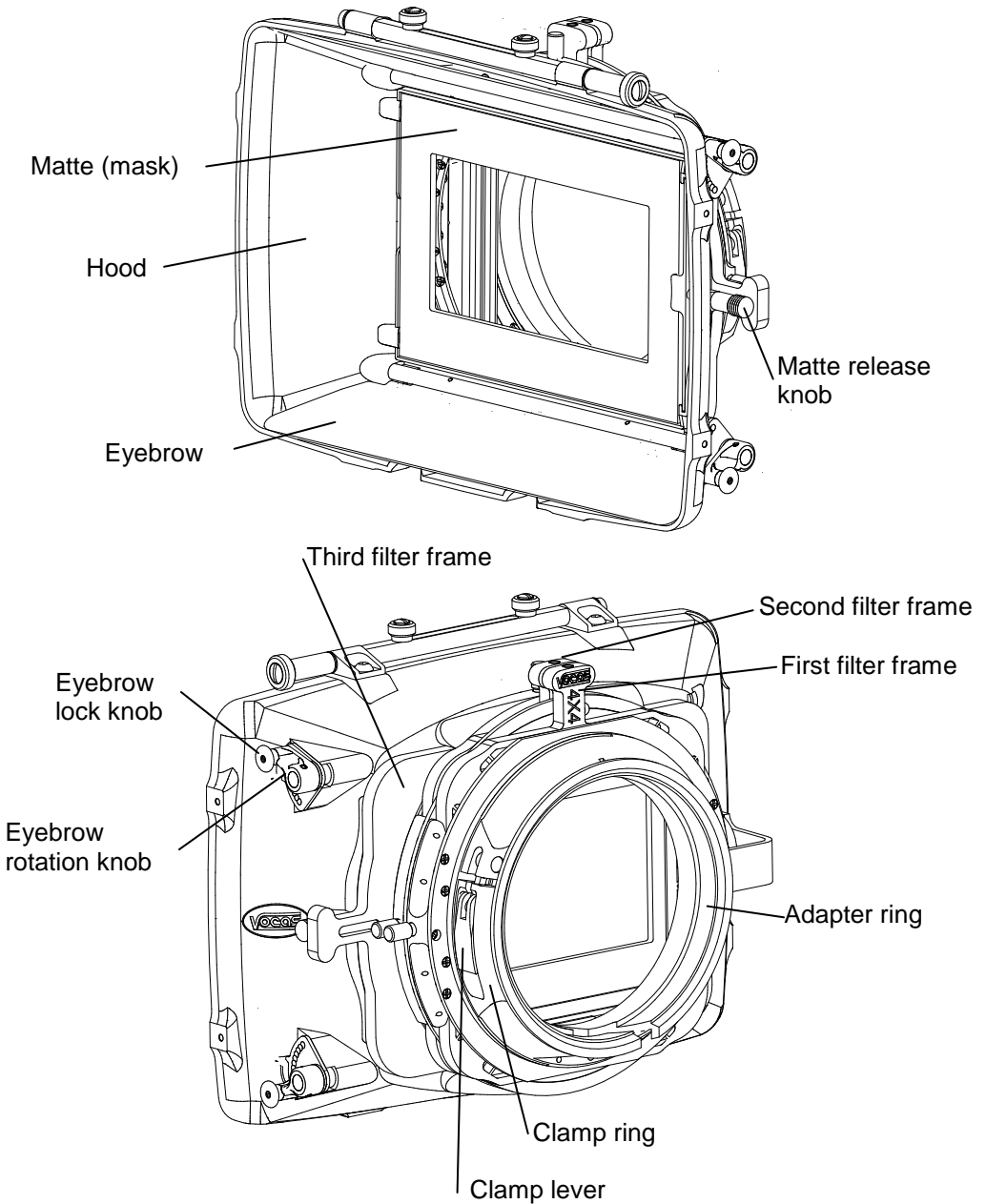
Index:

Box contents MB-350 matte box:.....	2
Guide to components:.....	3
Common directions for using this matte box:	4
Hints for using this matte box on wide angle lenses:	5
Adjusting the quick lock mechanism:.....	6
Accessories:.....	7
Contact data:.....	7

Box contents MB-350 matte box:

- Matte box MB-305.
- This manual.
- 1 pc. French flag wide.
- 2 pc. Filter frames 4"x4"
- 1 pc. Filterframe 4"x5,65"
- 2 pc. Mattes.

Guide to components:



Common directions for using this matte box:

- This matte box is equipped with a patented variable matte system, which we call “Eyebrows”. For reducing of flair these eyebrows can be adjusted to the focal length of the lens by pulling out the “eyebrow lock knob” and rotating the “eyebrow rotation knob”.
- This matte box can be used as a clip-on matte box, although we recommend using this matte box on 15mm lightweight rails. To use this matte box on rails a barsadapter is required. Order #: 0360-0100.
- For even better flair reduction a “Matte” or “Mask” can be placed In the front side of the hood. This matte box comes standard with two mattes (1 pc. 4:3 and 1 pc. in 16:9 aspect ratio) which can be used on a standard lens (for example Canon or Fujinon 16X lens) without vignetting.
For other focal lengths a 8 pc. kit is available, order #0380-0200.
- The mask described above can also be replaced by a 4”X5.65” filter. This provides the possibility to use 4 filters in this matte box.
Hint: since these masks are exactly the same size as an 4”X5.65” (Panavision) filter, they can also be used in every other matte box with 4”X5.65” horizontal positioned filter frame.
- To remove the mask, pull the “matte release knob” outwards.
- For maximum flair reduction a “Side flag kit” is also available. Order #: 0340-0002.

Hints for using this matte box on wide angle lenses:

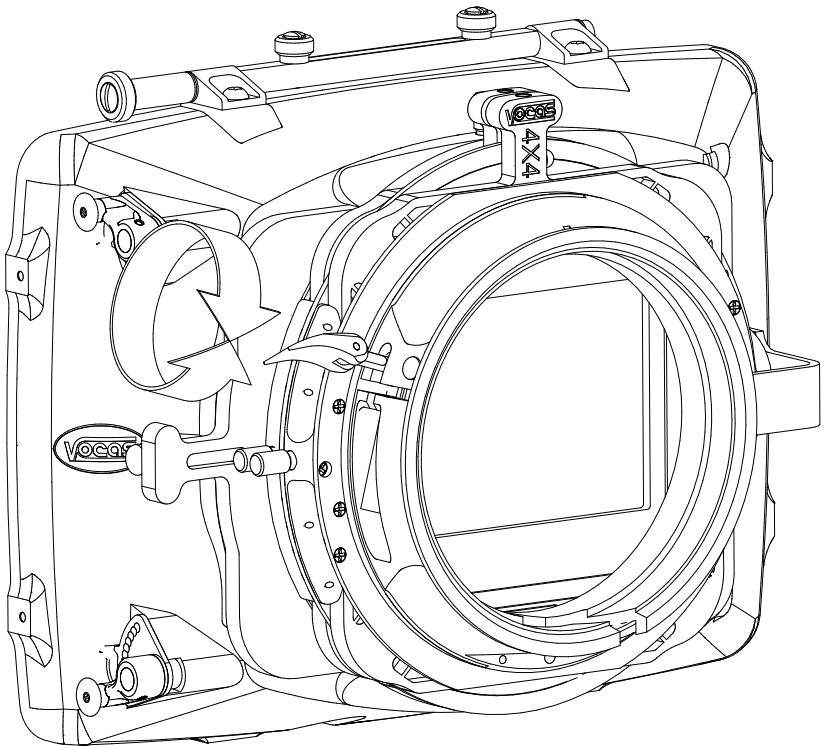
These hints are written especially for lenses wider than 5mm.

- Remove the matte, because it will vignette.
- The adapter rings for these lenses will let the matte box slide 8mm further backwards over the lens. In this situation the first Filter frame can no longer be used.
In the second Filter frame a non rotatable 4"X4" filter can be used. If this second filter has to be rotated (in the case when a polarize filter is used) a 4.5"X4.5" filter and filter frame are available.
Order #: 0310-0002 for the 4.5"X4.5" Filter frame.
Order #: 0380-0001 for the 4.5"X4.5" Polarize filter.
- The other two 4"X5.65" filters can be used without vignetting.
- The 4"x4" filter frames should be put in the matte box with the "Vocas" logo facing the cameraman.

Adjusting the quick lock mechanism:

The quick lock mechanism is factory pre-adjusted, nevertheless is it possible that it clamps too tight or too loose on a lens. In this case perform the following steps:

- Pull the clamp lever outwards.
- Rotate the clamp lever (not more than one twist at a time) clockwise to tighten, or counterclockwise to loosen the mechanism.
- Press the clamp lever back in the clamp ring.



Accessories:

For all available accessories and compatibilities please check our website:
www.vocas.com

Contact data:

Vocas Systems B.V.
Larenseweg 121
1221 CL Hilversum-Netherlands
T:+31(0)35-6233707 F:+31(0)35-6233997
www.vocas.com