



User manual
MB-315 matte box
Version 2.0.1



Index:

Box contents MB-315 matte box:..... 2
Guide to components:..... 3
Common directions for using this matte box: 4
Hints for using this mattebox on wide angle lenses:..... 4
Adjusting the quick lock mechanism:..... 5
Accessories:..... 6
Contact data:..... 6

Box contents MB-315 matte box:

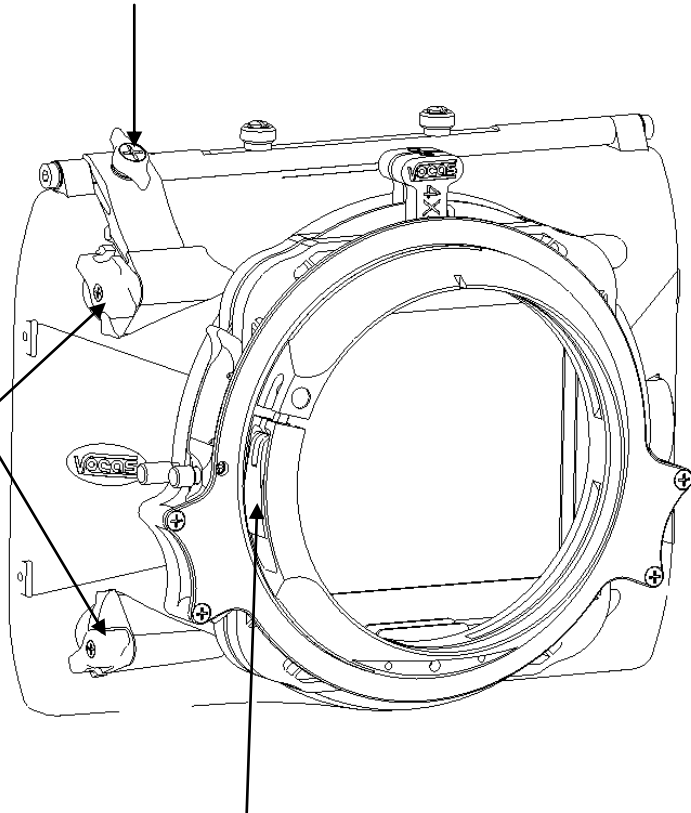
- Matte box MB-315.
- This manual.
- 1 pc. French flag.
- 2 pc. Filter frames 4"x4"

Guide to components:

Heavy Duty Flag clasper

Eyebrow
adjustment
knobs

Clamping Mechanism



Common directions for using this matte box:

- This matte box is equipped with a patented variable matte system, which we call “Eyebrows”. For the reduction of flair these eyebrows can be adjusted to the focal length of the lens by rotating the “eyebrow adjustment knobs”.
- This matte box can be used as a clip-on matte box, although we recommend using this matte box on 15mm lightweight rails. To use this matte box on rails a bars adapter is required. Order #: 0360-0100.
- For maximum flair reduction a “Side flag kit” is also available. Order #: 0340-0001.

Hints for using this mattebox on wide angle lenses:

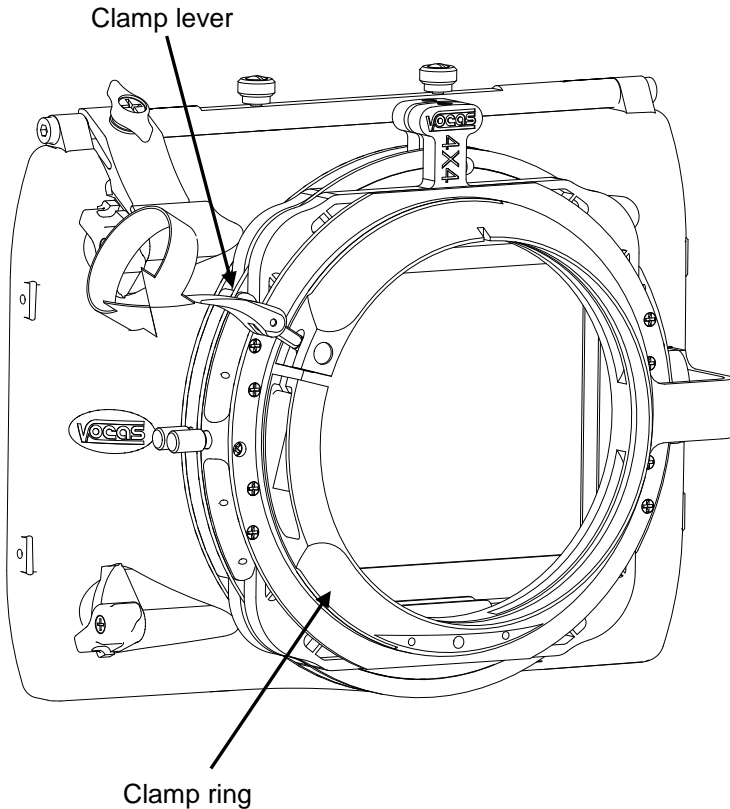
These hints are written especially for lenses wider than 5mm.

- The adapter rings for these lenses will let the matte box slide 8mm further backwards over the lens. In this situation the first Filter frame can no longer be used.
In the second Filter frame a non rotatable 4”X4” filter can be used. If this second filter has to be rotated (in the case when a polarize filter is used) a 4.5”X4.5” filter and filter frame are available.
Order #: 0310-0002 for the 4.5”X4.5” Filter frame.
Order #: 0380-0001 for the 4.5”X4.5” Polarize filter.
- The 4”x4” filter frames should be put in the mattebox with the “Vocas” logo facing the cameraman.

Adjusting the quick lock mechanism:

The quick lock mechanism is factory pre-adjusted, nevertheless is it possible that it clamps too tight or too loose on a lens. In this case perform the following steps:

- Pull the clamp lever outwards.
- Rotate the clamp lever (not more than one twist at a time) clockwise to tighten, or counter-clockwise to loosen the mechanism.
- Press the clamp lever back in the clamp ring.



Accessories:

For all available accessories and compatibilities please check our website:
www.vocas.com

Contact data:

Vocas Systems B.V.
Larenseweg 121
1221 CL Hilversum-Netherlands
T:+31(0)35-6233707 F:+31(0)35-6233997
www.vocas.com