



Vocas camera support system

# Panasonic

## EVA1



This is a selection of the most important accessories, flags, filter frames etc, can be found on

## MB-256 matte box

Advanced compact matte box, one fully rotatable 4"x4" filter frame, one non rotatable 4"x4" filter frame, and a French flag. Suitable for top and lower rails with fixed bars adapter. Swing away bracket for lower rails. Max. lens diameter of 114 mm. Patented internal eyebrows for maximum lens flare reduction.

0200-0256

## MFC-2S follow focus

Available with the innovative walnut palm support and a walnut focus knob. The technical specifications are among others, a modular design, different gear ratios (ENG, Cinema), reversible rotation direction and is highly adjustable for optimal personal comfort.

0500-3000 / 0500-3010 / 0500-3100 / 0500-3110

## MFC-3 & MFC-3F follow focus

The unique feature of this follow focus system MFC-3 is that the focus knob and drive gear consist of only one part, there is no transmission in the new MFC-3 making it 100% playless!

0500-3030 / 0500-0035

## USBP-15 MKII

This new base plate features everything you need to convert your camera into a shoulder camera, and is compatible with a lot of camera such as the Sony PXW-FS5, Arri Alexa Mini, Canon EOS C100/C300/C500 and the Panasonic AU-EVA1.

0350-2200

## BP-19 MKII

Height adjustable 19 mm base plate. Includes 2 pieces carbon 19 mm rail, 400 mm in length (0480-8400), a camera adapter plate (0350-2250) and a short balance dovetail plate (0350-2020).

0480-0019

## Quick release dovetail plate

This quick release dovetail plate allows drones, gimbals, etc to the Vocas sliding system. Adjustable for perfect balance and safety lock with quick release.

0350-2220

## Dovetail shoulder support

Shoulder support that fits into the BP-19 MKII and other standard Arri dovetails.

0480-0030

## H-cheese plate Panasonic AU-EVA1

This cheese plate is specifically designed for the Panasonic AU-EVA1 and can be used in combination with the original handgrip of the camera. It provides the user with many accessory attachment points on the top of the camera.

0350-1335

## Pro rail support 15 mm Type P

This support provides compact and medium cameras with front and even rear bars at the same time! For tripod use the V-lock adapter plate (0350-2041) can be mounted to the support (optional).

0350-0900

## Shoulder support compact for 15 mm rails

This shoulder support can be used on the back of any 15 mm rails and is equipped with a soft rubber pad. The clamping block of this shoulder support can also be mounted upside down so the rails can go across the top of the shoulder support. This allows you to add additional accessories such as a counter weight behind the shoulder support to get an even more balanced setup.

0370-0010





es, all other accessories such as adaptor rings, side  
our solutions finder at [www.vocas.com](http://www.vocas.com).

## Vocas handgrip system

Based on the standard rosette and made from high grade materials.

Wooden handgrip right: **0390-0105**

Wooden handgrip left: **0390-0104**

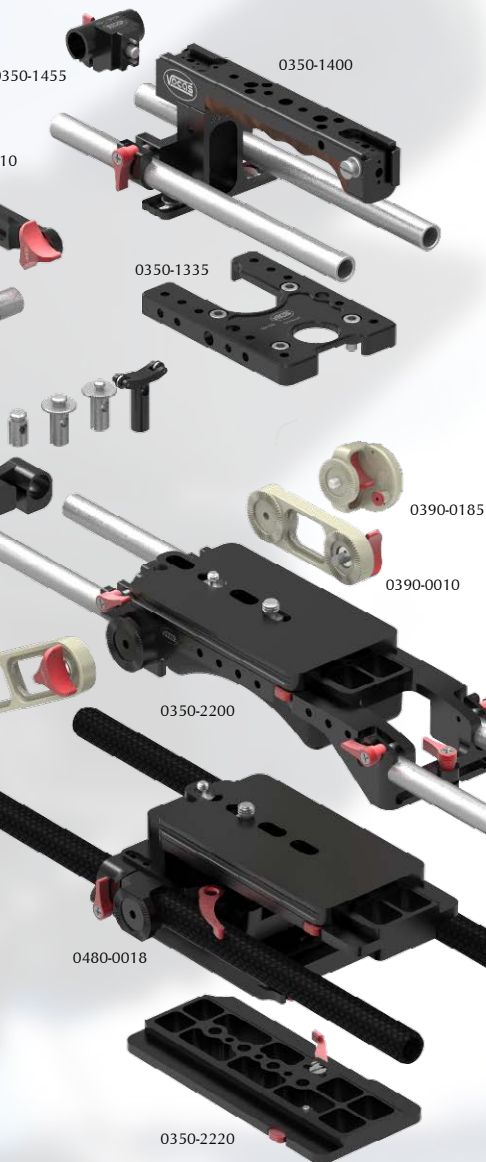
2,5 mm LANC extender coil cable: **0390-0157**

Handgrip combi rail bracket for 19 mm, 15 mm and 15 mm studio rails: **0390-0006**

Handgrip 15 mm rail bracket: **0390-0110**

Leather handgrip short: **0390-0004**

Leather handgrip long: **0390-0005**



### Adjustable handgrip extender

This very solid adjustable extender can be adjusted in length from 165 mm to 235 mm.

**0390-0040**

### Handgrip bayonet rosette adapter for Panasonic AU-EVA1

This adapter makes the original Panasonic handgrip compatible with all standard rosette accessories.

**0390-0185**

### 15 mm Single rod holder

This holder can be attached to the front of the top cheese plate (0350-1335) for a secure and stable attachment of the viewfinder bracket.

**0350-1465**

### Single NATO rail with Panasonic 8T (110 mm)

This NATO rail fits on the 8 teeth connector of the original Panasonic top handgrip.

**0735-1110**

### Panasonic 8T to 15 mm viewfinder bracket

This viewfinder bracket is meant to replace the original Panasonic top handgrip viewfinder bracket of the AU-EVA1 camera and offers a much more stable connection.

**0350-1475**

### Viewfinder bracket for Panasonic AU-EVA1

This viewfinder bracket is designed for the Panasonic AU-EVA1 and is meant to replace the original viewfinder bracket of this camera.

The NATO rail uses the 8T connection that is on the camera.

**0700-0090**

### Lens supports

#### 19 mm Lens support universal

Snap-on connection with tight lock. Adjustable height for optimal support. Y-stand with wheels for support of lenses without connection points. The kit includes 4 extra adapters for the different types of lens connections.

**0480-0500**

#### 15 mm General lens support

The kit includes 4 extra adapters for the different types lens connections.

**0360-0525**

#### 15 mm Arri style lens support

**0360-0550**

### Weight 1 kg for 15 mm rails

This 1 kg stainless steel counter weight can be mounted directly on any standard 15 mm rails.

**0370-0220**



0200-0216



0360-0100

0250-0190

0200-0256



0360-0100

0250-0190

0400-0436



0460-0600

0420-0601

0500-1335

0500-0030



0500-1330

0500-0035

0830-0031

0500-1335



0500-1330

0830-0031

0500-0001



0500-0101

0500-0295

0500-1201

0500-1110



0500-1010

0500-0601

0500-1100

0500-1010

0500-0295-03



0500-1215

0500-1300

<b>0216-2010</b>	<b>MB-216 matte box kit for any camera with 15 mm LW support. Consisting of:</b>
0200-0216	MB-216 matte box.
0250-0190	114 mm flexible cuff adapter ring. Max lens diameter: 110 mm.
0360-0100	Adjustable bars adapter for MB-2XX and MB-3XX series matte boxes.

<b>0256-2010</b>	<b>Compact MB-256 matte box kit for any camera with 15 mm LW support. Consisting of:</b>
0200-0256	MB-256 matte box.
0250-0190	114 mm flexible cuff adapter ring. Max lens diameter: 110 mm.
0360-0100	Adjustable bars adapter for MB-2XX and MB-3XX series matte boxes.

<b>0436-2010</b>	<b>Advanced MB-436 matte box kit for any camera with 15 mm LW support. Consisting of:</b>
0400-0436	MB-436 matte box.
0420-0601	143 mm flexible donut adapter ring. Max lens diameter: 133 mm.
0460-0600	Swing away bracket for MB-216, MB-256 and MB-43X matte box.

<b>0500-3030</b>	<b>MFC-3 kit. Consisting of:</b>
0500-0030	MFC-3 follow focus incl. flexible gear ring
0500-1330	MFC-3 palm support
0500-1335	MFC-3 separate right hand rosette
0830-0031	Spider plastic handgrip

<b>0500-3035</b>	<b>MFC-3F kit. Consisting of:</b>
0500-0035	MFC-3F follow focus with adjustable friction incl. flexible gear ring
0500-1330	MFC-3 palm support
0500-1335	MFC-3 separate right hand rosette
0830-0031	Spider plastic handgrip

<b>0500-2300</b>	<b>Universal MFC-1 kit. Consisting of:</b>
0500-0001	MFC-1 compact follow focus system.
0500-0101	MFC-1 drive gear M0,8/46 T.
0500-0295	Flexible gear ring, with 2 movable stops.

<b>0500-3100</b>	<b>MFC-2S CINE kit. Consists of:</b>
0500-1201	MFC-2 knob standard.
0500-1110	MFC-2 gear unit 1:1.75 ratio.
0500-1010	MFC-2S 15 mm snap-on bracket.

<b>0500-3010</b>	<b>MFC-2S Limited Edition DSLR kit. Consists of:</b>
0500-1215	MFC-2 knob wood with one stop.
0500-1100	MFC-2 gear unit 1:1 ratio.
0500-1010	MFC-2S 15 mm snap-on bracket.
0500-1300	MFC-2S palm support wood.
0500-0601	MFC-2 drive gear M0,8/40 T.
0500-0295-03	3 Pieces flexible gear ring, with 2 movable stops

PO Box 191, 1200 AD, Hilversum, The Netherlands.  
 Tel.: +31(0)35-6233707, Fax: +31(0)35-6233997  
 e-mail: info@vocas.com, Web: www.vocas.com

Your reseller:

Vocas products are designed and made in Holland

See [www.vocas.com/where-to-buy](http://www.vocas.com/where-to-buy) for your local reseller.

March 2018