



# Index:

Index: .....	1
Introduction:.....	3
What's in the box? .....	4
Component overview:.....	6
How to put the 138 mm diopter in the holder?.....	7
How to manipulate the diopter? .....	8
Accessories: .....	9

## Introduction:

Thank you for purchasing a Vocas product. You are now the owner of a 5-axis Diopter holder.

This diopter holder allows you to enhance your creativity and enables you to shoot that previously impossible shot with adjusted and / or multiple focus planes.

The Vocas 5-axis Diopter holder accepts any 138 mm diopter and, with its flexible cuff, will fit any lens while preventing stray light.

The diopter holder gives you the possibility to adjust the pitch, roll, yaw, vertical and horizontal shift. These axes can be changed independently and run through the optical axis, which means the diopter's position to the lens will not change while tilted, rolled or rotated.

More than 25 years of experience are part of this design and functionality.

## What's in the box?

Each 5-axis Diopter holder is ready to use on 15 mm rails.

### 5-axis Diopter holder 0410-0100:

- 5-axis Diopter holder
- This manual



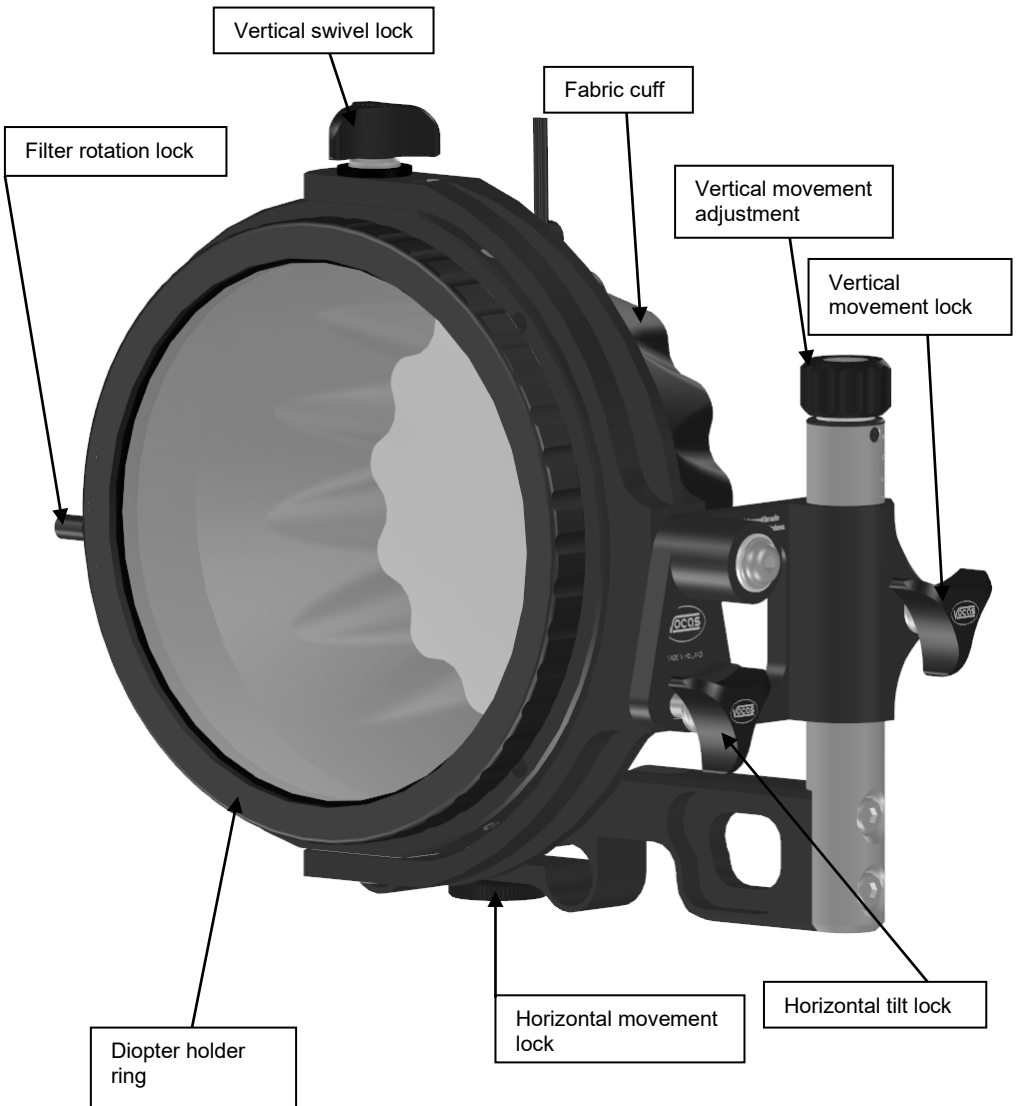
## 5-axis Diopter holder 19 mm kit 0410-0101:

- 5-axis Diopter holder
- 19 mm to 15 mm Adapter (0490-0001)
- This manual



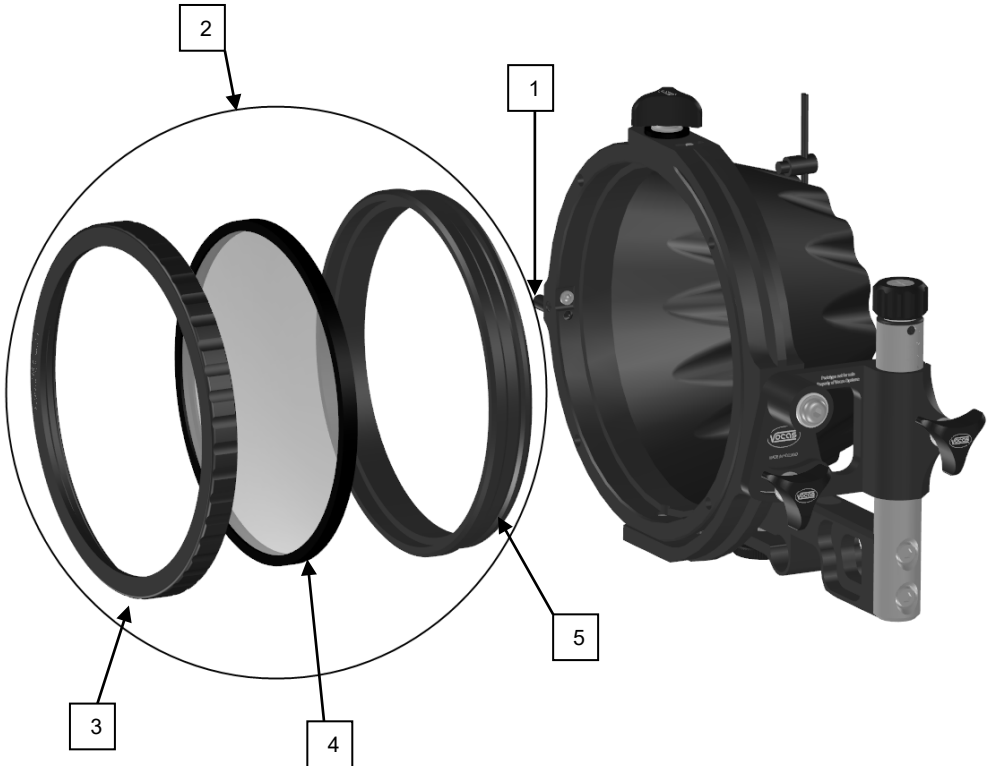
# Component overview:

(5-axis Diopter holder (0410-0100))

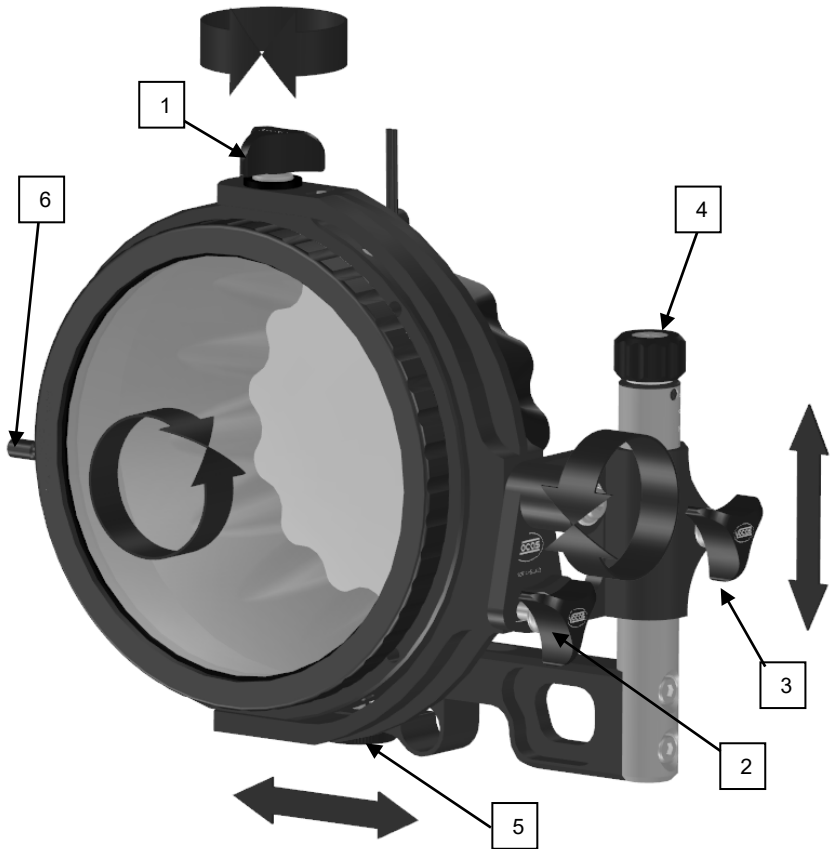


## How to put the 138 mm diopter in the holder?

1. Release the filter rotation lock (little red screw).
2. Pull the diopter holder ring out of the holder.
3. Unscrew the outer ring (3) from the inner ring (5).
4. Put the 138 mm diopter in the inner ring (5).
5. Follow steps 1 – 3 in reverse order.



## How to manipulate the diopter?



### **Pitch adjustment:**

Release the red winged nut (1), to adjust the pitch of the diopter.

### **Roll adjustment:**

Release the red winged nut (2), to adjust the roll of the diopter.

### **Yaw adjustment:**

Release the red winged nut (5), to adjust the yaw of the diopter.

### **Height adjustment:**

Release the red winged nut (3), rotate knob (4) to adjust the height of the diopter.

### **Lateral adjustment:**

Release the red knob (6), to adjust the diopter laterally.



## Accessories:

For all available accessories please see:  
<https://www.vocas.com/diopter-holders>

