



# Index:

Index: .....	1
Introduction:.....	3
What's in the box? .....	3
Component overview:.....	4
Back-focus readjustment: .....	6
Lock ring readjustment: .....	6
Common directions for mounting 15 mm supports: .....	7
Inserting a PL lens:.....	8
Accessories: .....	9

## Introduction:

Thank you for purchasing a Vocas product. You are now the owner of a L-mount to PL adapter.

This adapter allows you to use a PL mount lens with a L-mount camera.

## What's in the box?

### Canon L-mount to PL adapter 0900-0022:

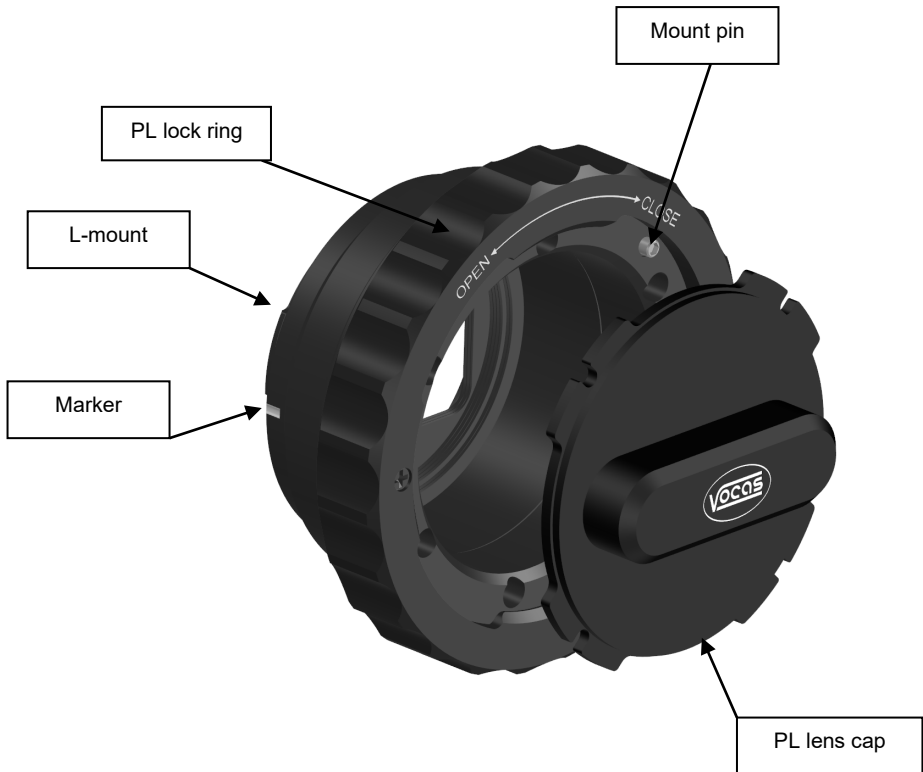
- 1 pc. Canon L-mount to PL mount adapter (0900-0022)
- 1 pc. PL lens cap (0900-0020)
- This manual

### Canon L-mount to PL adapter including 15 mm support 0900-0021:

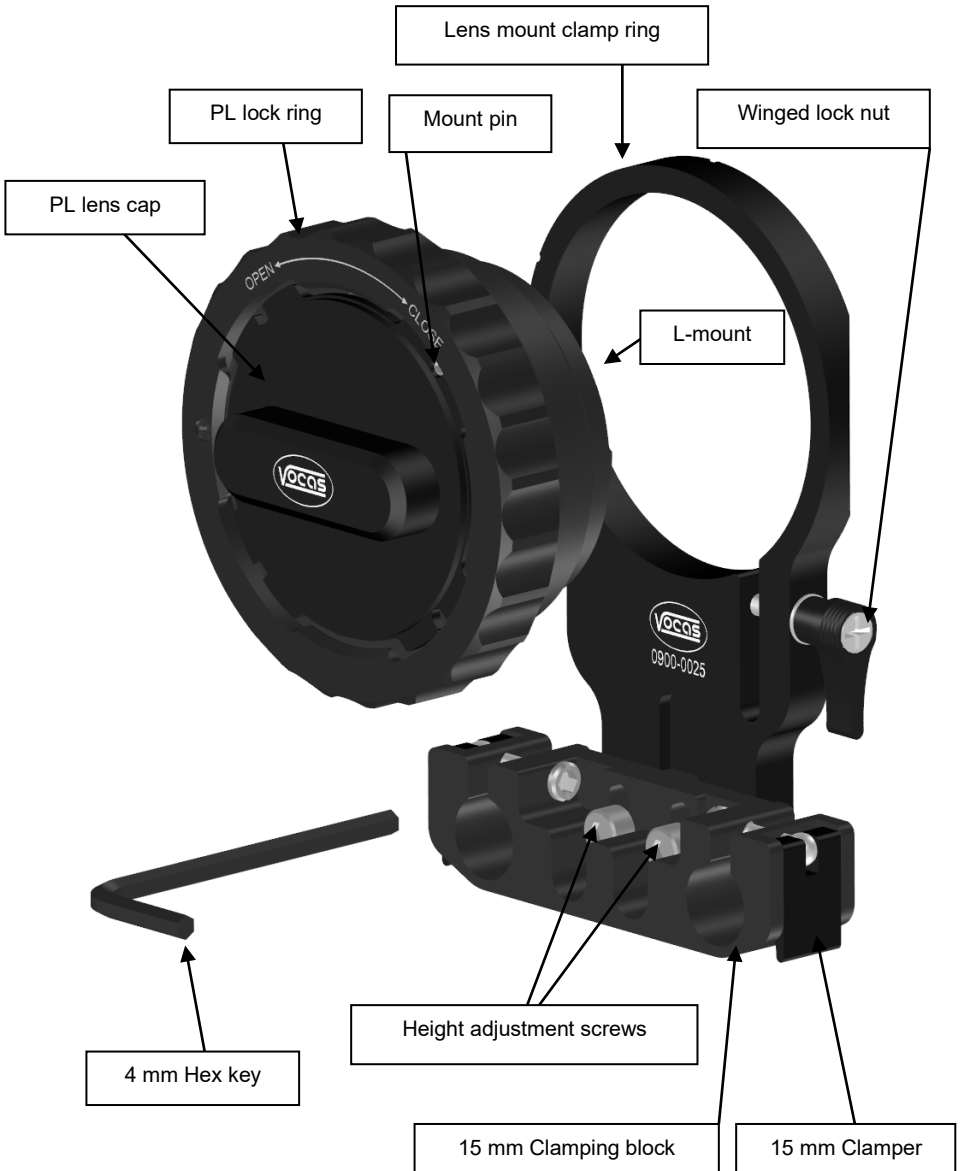
- 1 pc. Canon L-mount to PL mount Adapter (0900-0022)
- 1 pc. Separate 15 mm support for PL adapters (0900-0025)
- 1 pc. PL lens cap (0900-0020)
- 1 pc. 4 mm Hexagonal key
- This manual

## Component overview:

Canon L-mount to PL adapter 0900-0022:

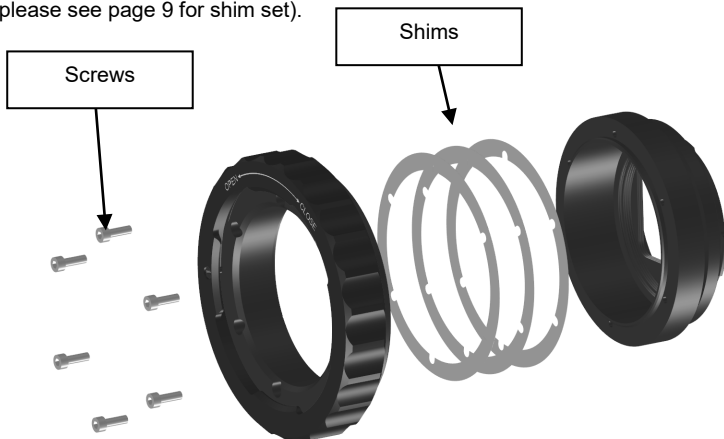


**Canon L-mount to PL adapter including 15 mm support 0900-0021:**



## Back-focus readjustment:

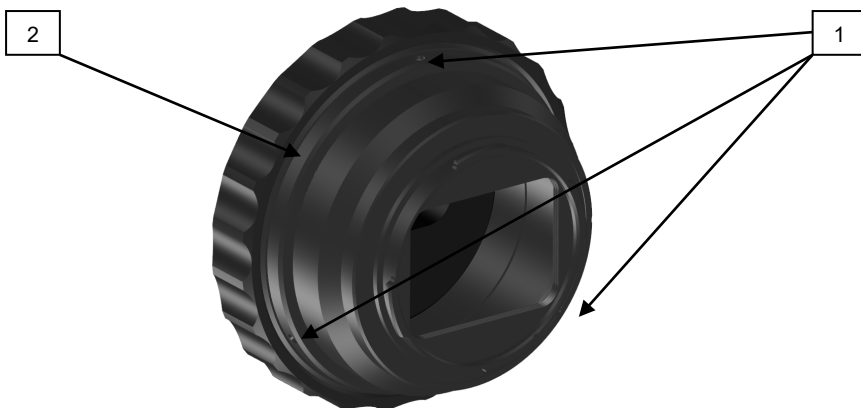
If you notice that the object distance on your lens' focus barrel does not match the real object distance resulting in a unsharp image, you can readjust the flange-back distance of the adapter. You can do this by removing the six screws in the front of the adapter and add, replace or remove shims (please see page 9 for shim set).



## Lock ring readjustment:

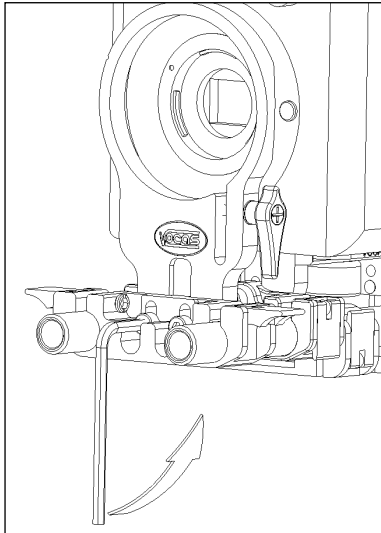
After many years of using your adapter, the thread in the red lock ring can get slightly worn out, resulting in an improper lock of your lens (the red ring will rotate clockwise to far). If this is the case, the lock mechanism of the adapter can be readjusted by following the next steps:

1. Unlock the three small screws (1) for about one turn.
2. Readjust the ring (2) by rotating it clockwise as much as is necessary.
3. Lock the three small screws (1) again. Use delicate force and make sure the red lock ring still locks smoothly.

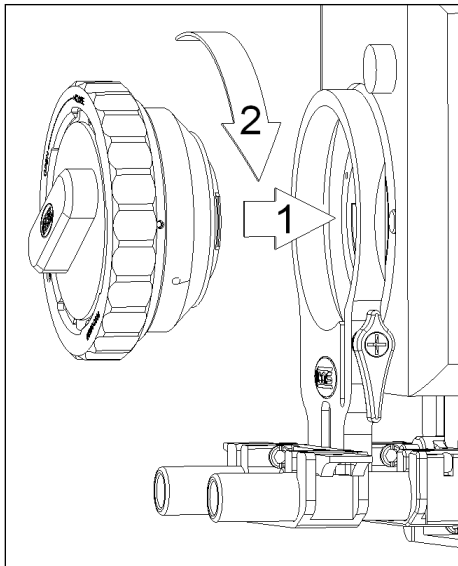


## Common directions for mounting 15 mm supports:

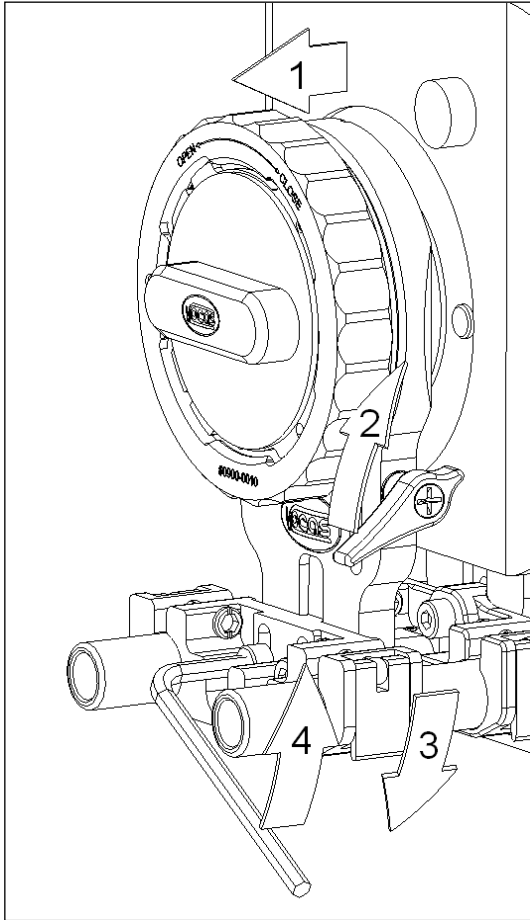
- **Turn off the camera before attaching the mount to the camera!**
- Mount the 15 mm support on the 15 mm rails so the clamp ring is against the camera.
- Loosen the height adjustment screws in the 15 mm clamping block.



- Insert the L-mount attachment into the L-mount opening of the camera through the clamp ring using the marker on the camera and the lens mount as a position guide. **(1)**
- Turn the entire adapter clockwise to lock it into the camera. **(2)**



- Slide the clamp ring over the PL adapter as far as it will go. (1)
- Fasten the clamp ring by turning the winged lock nut clockwise. (2)  
(if the winged nut hits the camera it can be readjusted by pulling on the winged lock nut.)
- Flip the 15 mm clampers of the clamping block in closed position. (3)
- Fasten the height adjustment screws of the 15 mm clamping block so the height is now fixed in place. (4)



## Inserting a PL lens:

- **Turn off the camera before removing any lens from the adapter!**
- Make sure the lens lock ring is in the open position by turning it counter clockwise.
- Insert the PL lens into the adapter making sure the position is correct.
- Lock the lens into the adapter by turning the lens lock ring firmly clockwise.



## Accessories:

For all available accessories please see:

<https://www.vocas.com/vocas-l-mount-to-pl-adapter-excl-15-mm-support.html>

