

Index:

What's in the box?	3
Introduction:.....	3
Guide to components:.....	4
Adjusting the rail locks:.....	4
Adjusting the shoulder pad:	5
Attaching the base plate to the camera:.....	6
When to use the flat base plate short 0350-1025 or long 0350-1020:.....	6
Adjusting play in the tripod plate connection:	8
Optional accessories:	9

What's in the box?

Content base plate MKII for Sony PXW-FS7 (MKII) / FX9 0350-1700:

- Base plate MKII for Sony PXW-FS7 / FS7 MKII / FX-9
- User manual
- 2 pc. Rails 210 mm (0350-9210)
- 1 pc. Dovetail plate (0350-1010)
- 1 pc. Flat base plate short (0350-1025)

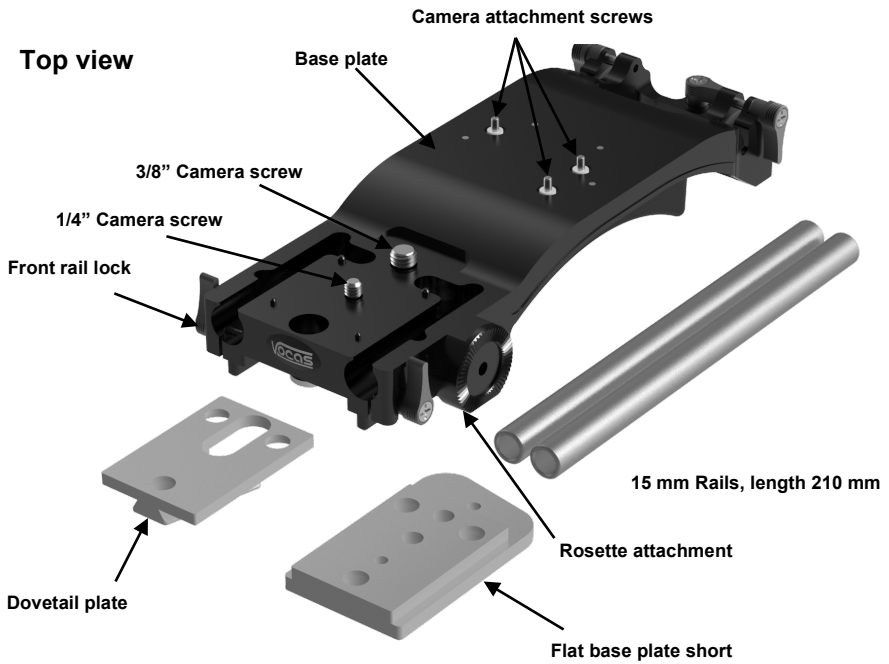
Introduction:

Thank you for purchasing a Vocas product. You are now the owner of a revolutionary Sony PXW-FS7 / FS7 MKII / FX9 base plate MKII! Its great design, adjustability and quick release adjustment are unique in the market. More than 25 years of experience are part of this base plate's design and functionality.

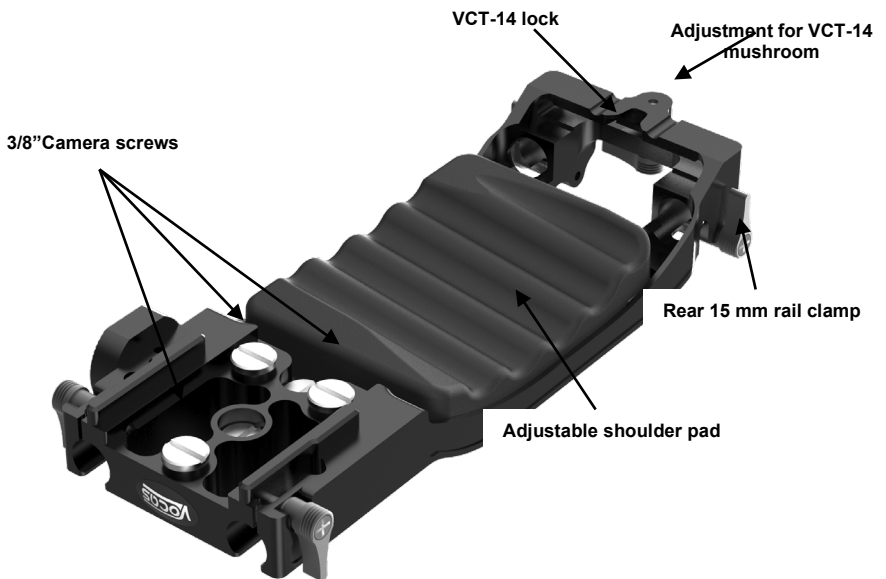
We believe that this base plate gives you the perfect configuration for your camera. You will now experience having your camera in perfect balance. Before you start to use your new accessory, please read these instructions carefully to enjoy optimum performance and a longer service life. Keep this manual in a safe place for future reference.

Guide to components:

Top view

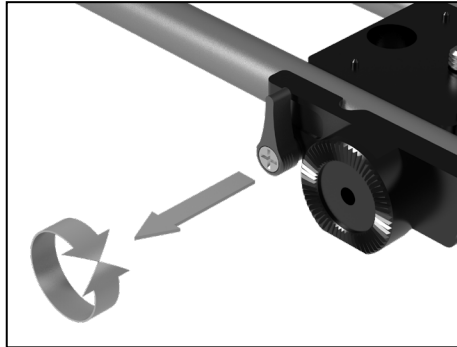


Bottom view



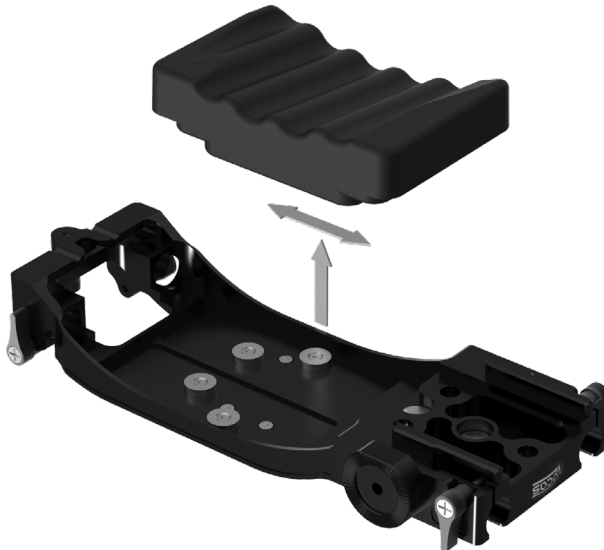
Adjusting the rail locks:

All red winged nuts contain a ratchet mechanism, allowing for easy adjustment of the clamping system. Simply pull red winged nut outward and rotate to adjust.



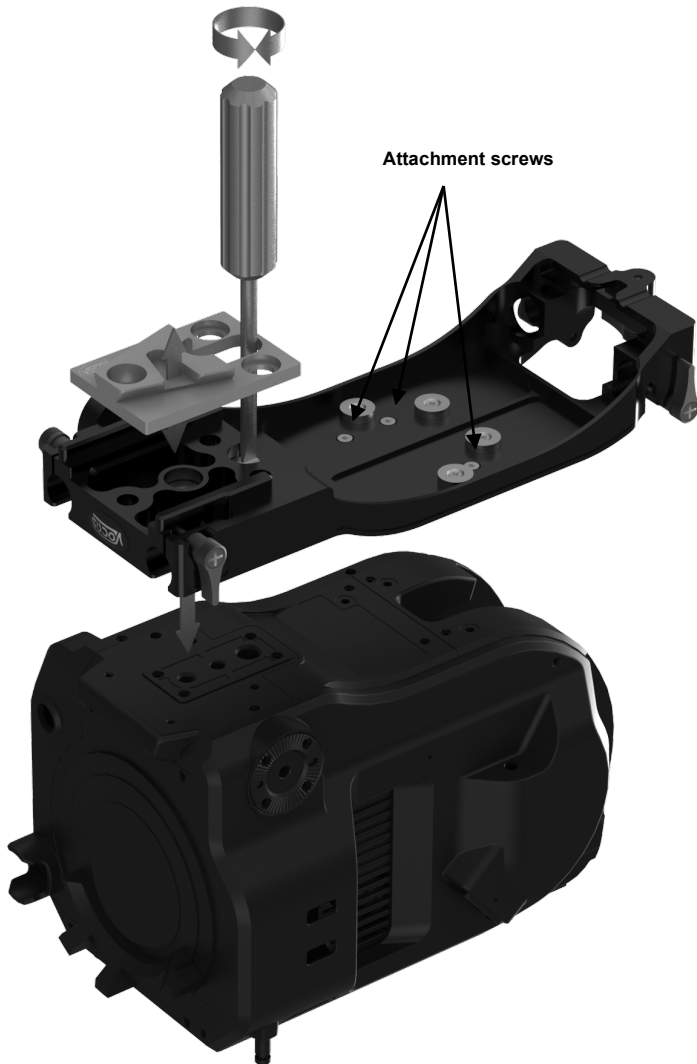
Adjusting the shoulder pad:

For optimal balance the shoulder pad can be placed in the base plate in any of three positions. Simply pull out the shoulder pad (it is attached with magnets) and readjust.

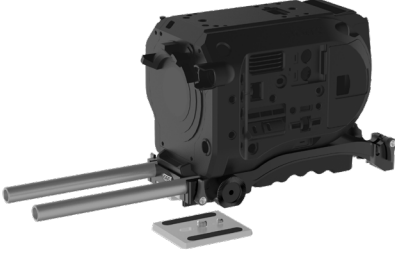



Attaching the base plate to the camera:

1. Remove the dovetail plate and the shoulder pad from the base plate.
2. Align the two camera screws with the holes in the camera.
3. Tighten the two camera screws and the three screws underneath the shoulder pad using a screwdriver.
4. Reattach the dovetail plate and the shoulder pad on the base plate.



When to use the flat base plate short 0350-1025 or long 0350-1020:

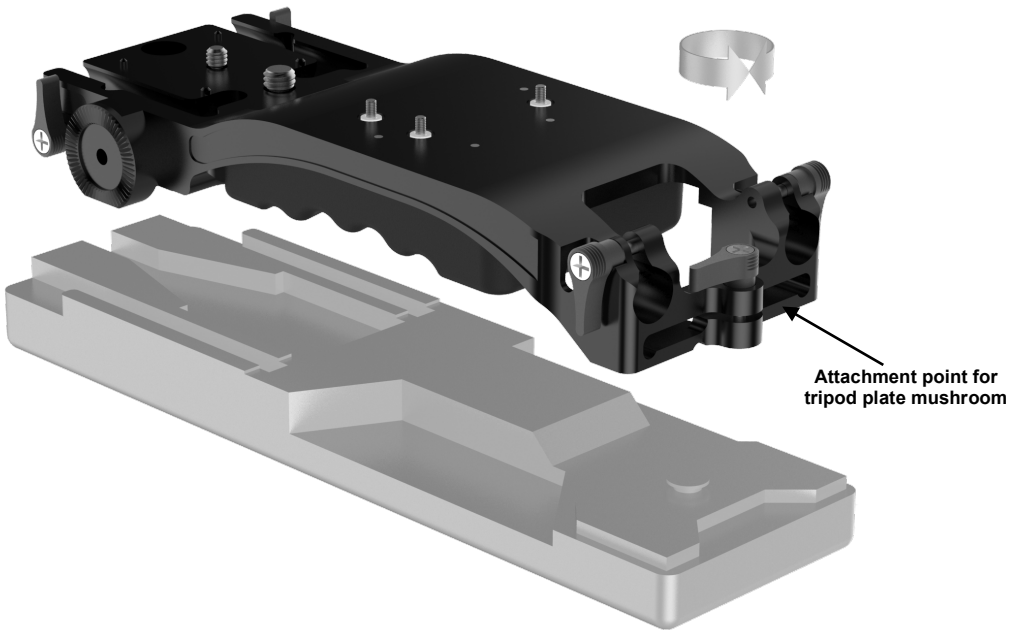
	
<p>Directly on tripod using a tripod plate</p>	<p>In combination with flat base plate long 0350-1020: Industry standard base plates or our BP-18 0480-0018</p>

Adjusting play in the tripod plate connection:

This base plate can be used directly on the industry standard quick release tripod plates such as the Sony VCT-14.

In some cases, especially when the tripod plate is old and worn out, some play between the base plate and the tripod plate may occur.

In this case the central red winged nut at the back of the base plate can be used to readjust the play. Simply tighten this red winged nut to remove any play between the quick release tripod plate and the Vocas base plate.



Optional accessories:

For all available accessories please see:

<https://www.vocas.com/vocas-base-plate-mkii-for-sony-pxw-fs7-fs7-ii-fx9.html>

