



User manual
MB-450 matte box
Version 2.0.1



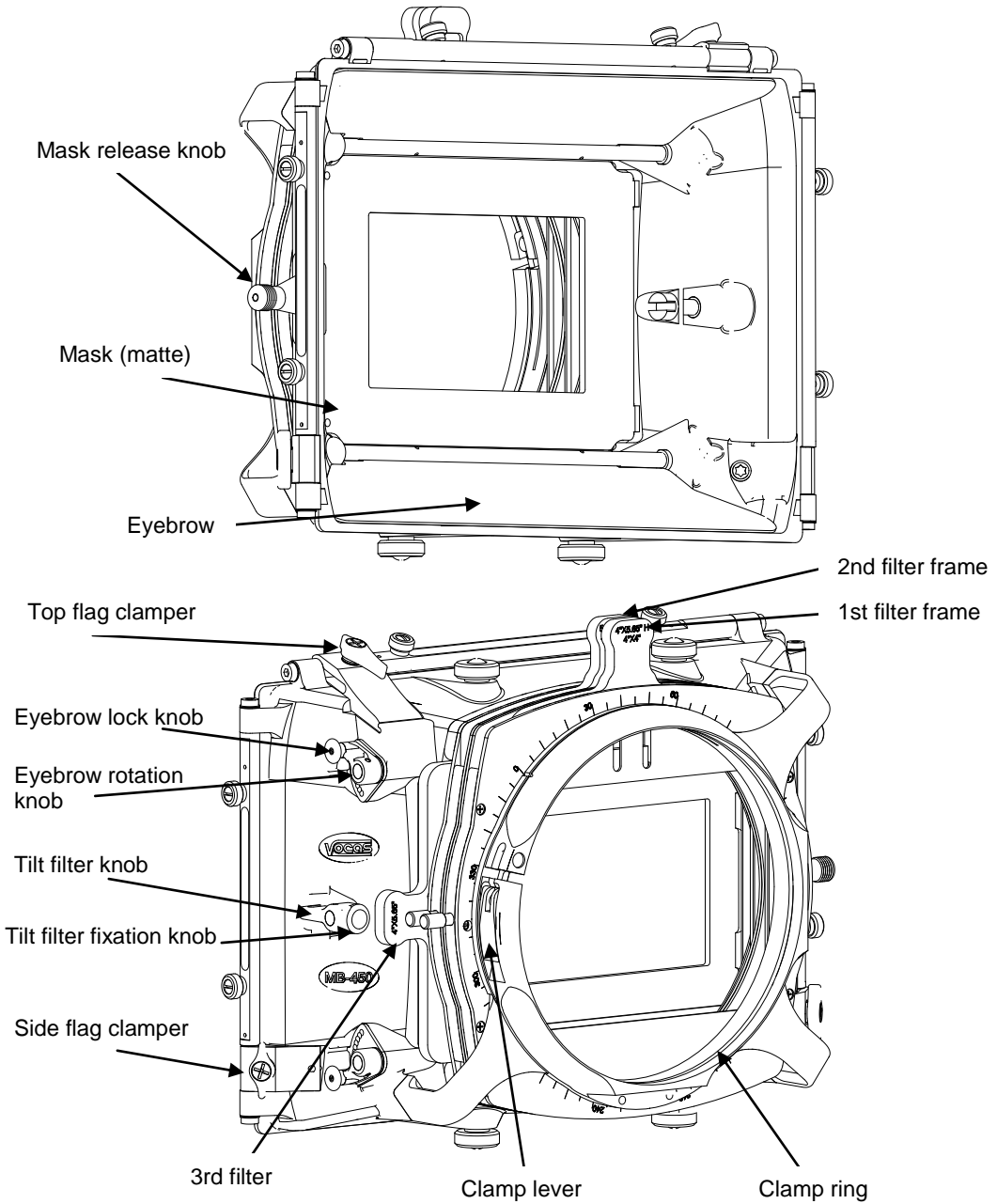
Index:

Box contents MB-450 mattebox:.....	2
Guide to components:.....	3
Common directions for using this matte box:	4
Hints for using this mattebox on wide angle lenses:.....	5
Adjusting the quick lock mechanism:.....	6
Accessories:.....	7
Contact data:.....	7

Box contents MB-450 mattebox:

- Mattebox MB-450.
- This manual.
- 1 pc. Top flag MB-4XX (item #0430-0001).
- 1 pc. 121mm wide Filter frame 4"x5,65" (item #0410-0001).
- 1 pc. 150mm wide Filter frame combo 4"x4" / 4"x5,65" (item #0410-0002)
- 1 pc. 150mm wide Filter frame combo 5,65"x5,65" / 4"x5,65" (item #0410-0003)
- 1 pc. mask (16:9).

Guide to components:



Common directions for using this matte box:

- This mattebox is equipped with a patented variable matte system, which we call “Eyebrows”. For reducing of flair these eyebrows can be adjusted to the focal length of the lens by pulling out the “eyebrow lock knob” and rotating the “eyebrow rotation knob”.
- This matte box can be used as a clip-on matte box, although we recommend using this matte box on 15mm or lightweight rails. To use this matte box on rails the included bars adapter is required. Item #0460-0001
- For even better flair reduction a “Mask” or “Matte” can be placed In the front side of the hood. This matte box comes standard with a 16:9 Mask.
- To remove the mask, pull the “matte release knob” outwards.
- The mask described above can also be replaced by a 4”X5.65” filter holder Item #0410-0004.
This provides the possibility to use 4 filters in this mattebox.
- Additionally the mask and the 3rd horizontal filter frame can be removed and replaced by the patented Tilt filter unit. (Item #0410-0005). This Tilting filter is meant to remove any reflections that might occur, between the individual filters and/or your lens, from your picture. When using this tilt filter unit, the tilt filter knob can be used to tilt the filter from the cameraman’s side. The tilting mechanism can also be fixed in a certain position by tightening the Tilt filter fixation knob.
- When using this matte box on rails, this mattebox can be provided with the Flexible adapter ring kit item #0420-0001, which can also house a 5th round 138mm rotatable filter for this mattebox.
- For maximum flair reduction a “Side flag kit” is also available. Item #0440-0001.

Hints for using this mattebox on wide angle lenses:

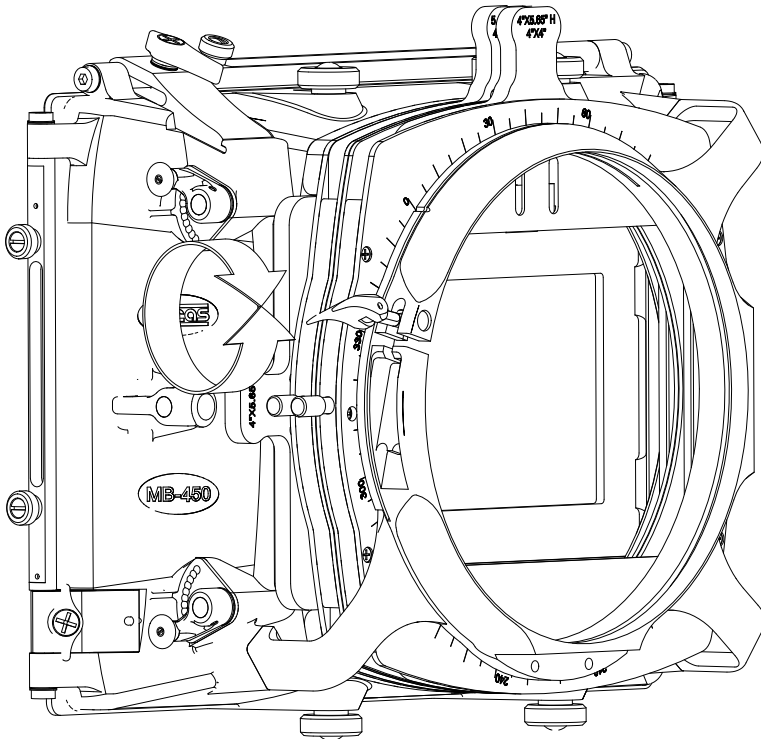
These hints are written especially for lenses that are 4,5mm or wider.

- Remove the 16:9 Mask, the 4th Filter holder or the Tilt filter unit from the front of the mattebox, because these will vignet.
- Do not use the 5th filter in the flexible adapter ring because this requires the mattebox to be further away from the lens, which will result in vignetting.
- The standard three filter-trays can be used without vignetting.
- All filter frames should be put in the mattebox with the type engraving facing the cameraman.

Adjusting the quick lock mechanism:

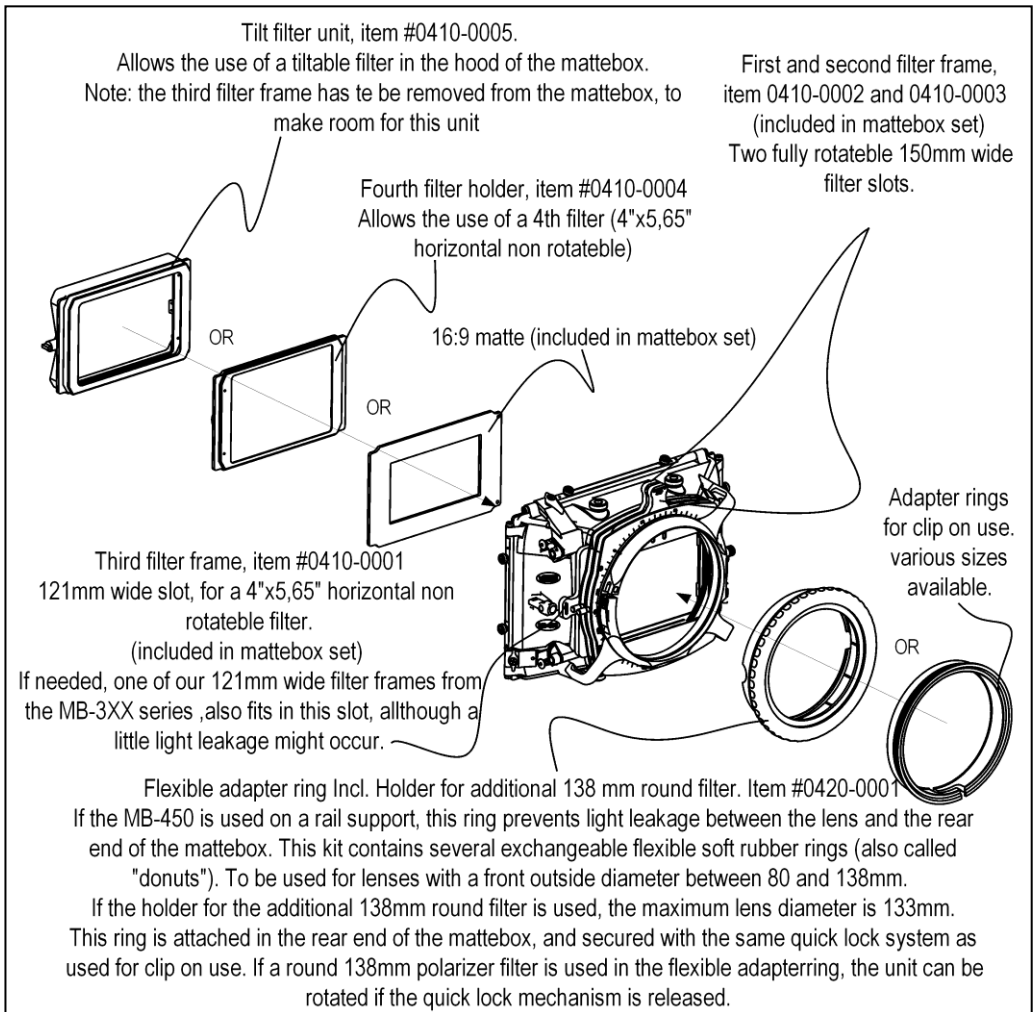
The quick lock mechanism is factory pre-adjusted, nevertheless is it possible that it clamps too tight or too loose on a lens. In this case perform the following steps:

- Pull the clamp lever outwards.
- Rotate the clamp lever (not more than one twist at a time) clockwise to tighten, or counterclockwise to loosen the mechanism.
- Press the clamp lever back in the clamp ring.



Accessories:

For all available accessories and compatibilities please check our website:
www.vocas.com



Contact data:

Vocas Systems B.V.
Larenseweg 121
1221 CL Hilversum-Netherlands
T:+31(0)35-6233707 F:+31(0)35-6233997
www.vocas.com